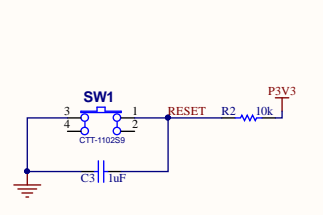
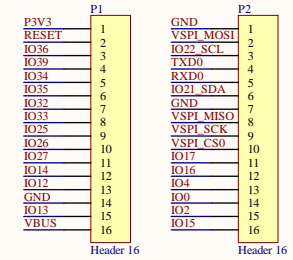


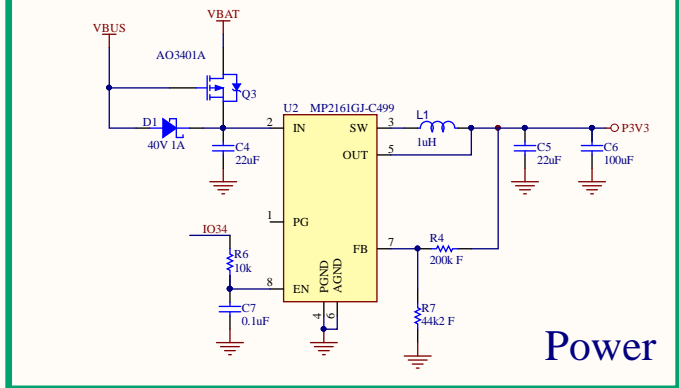
USB to UART Converter



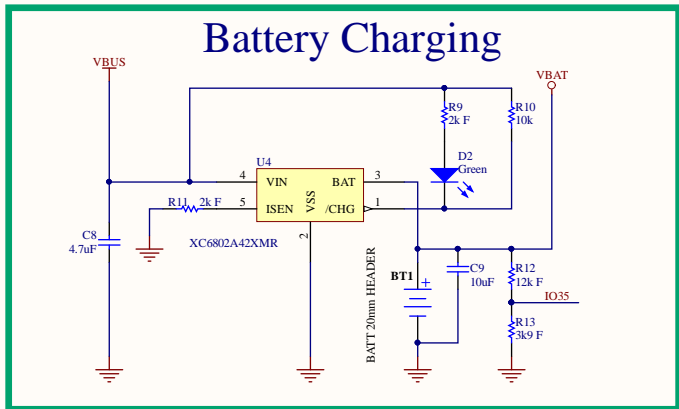
Reset



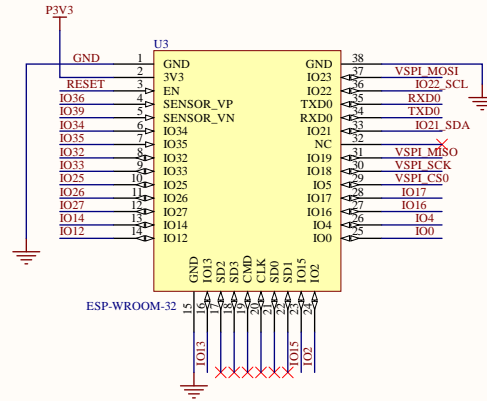
Connector



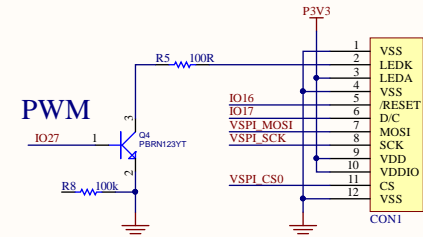
Power



Battery Charging



ESP32 Module



2.4Inch LCD