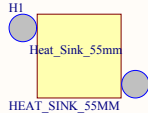


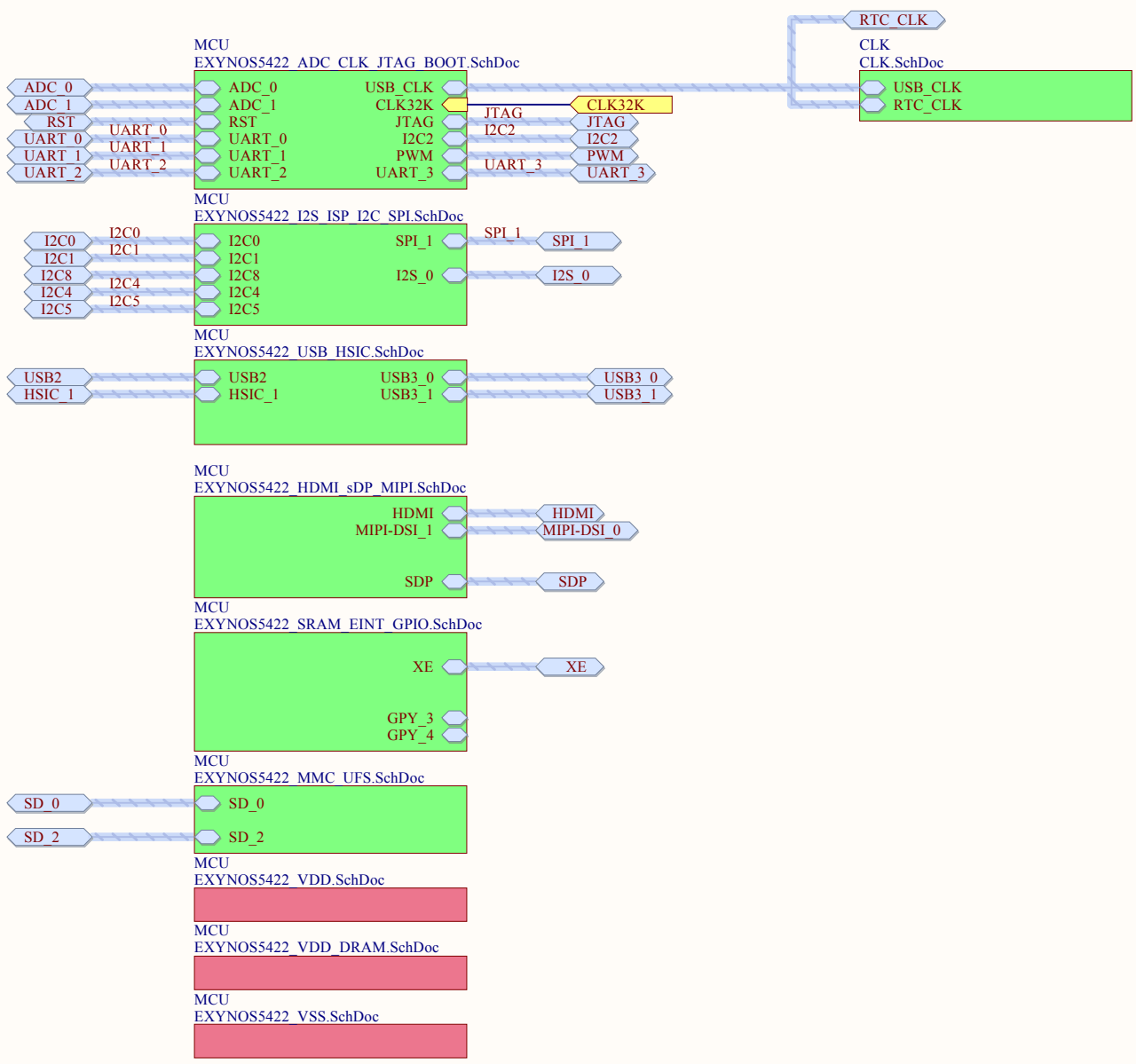
Mounting Holes

- MH1
MOUNTING HOLE 3MM
- MH2
MOUNTING HOLE 3MM
- MH3
MOUNTING HOLE 3MM
- MH4
MOUNTING HOLE 3MM

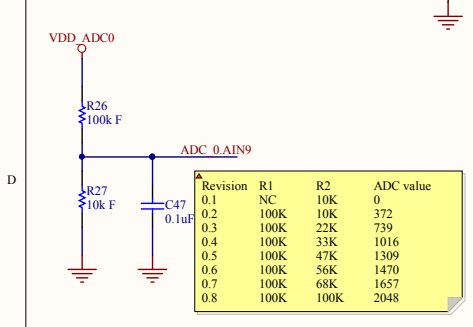
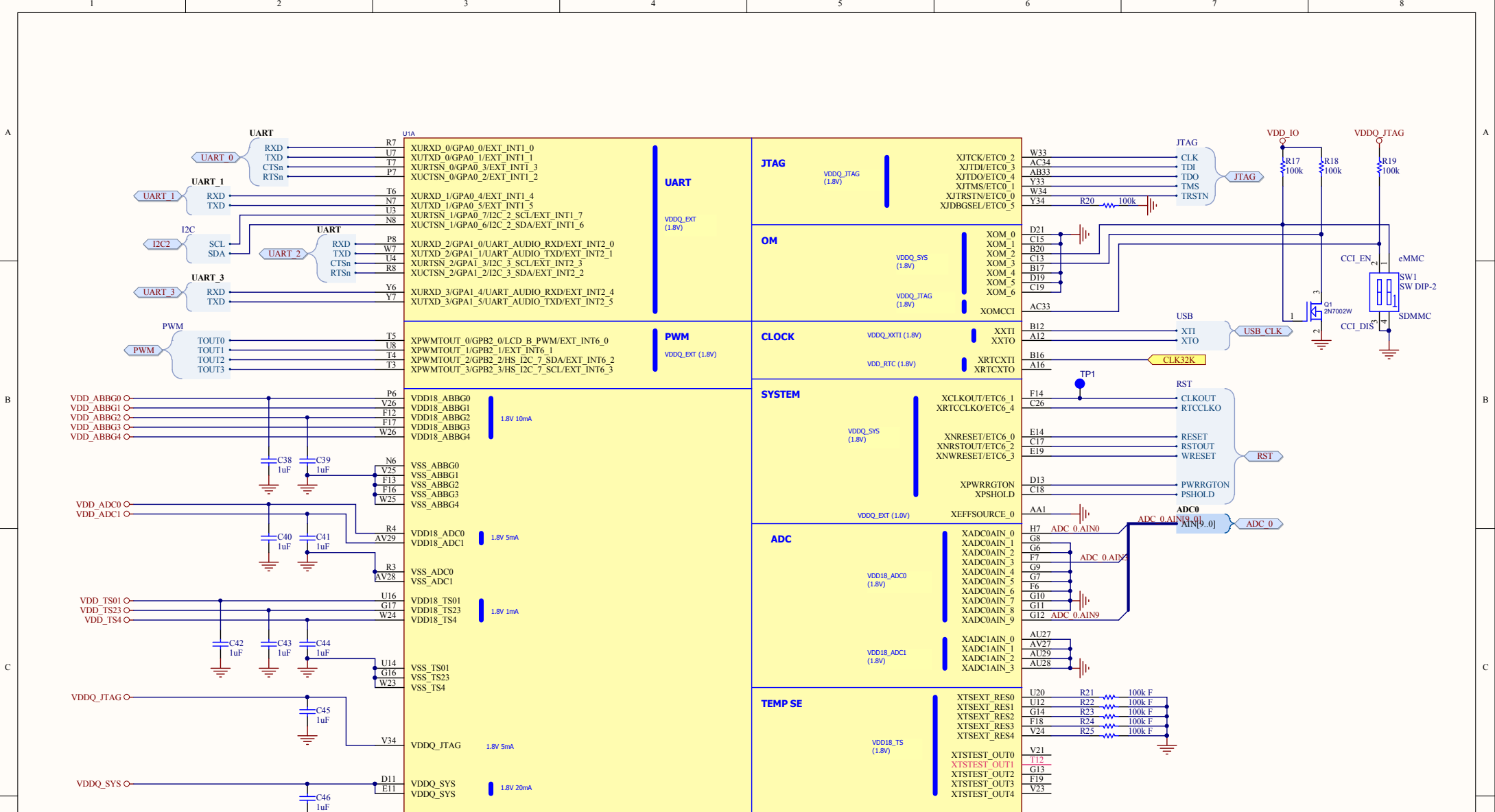
Heat Sink



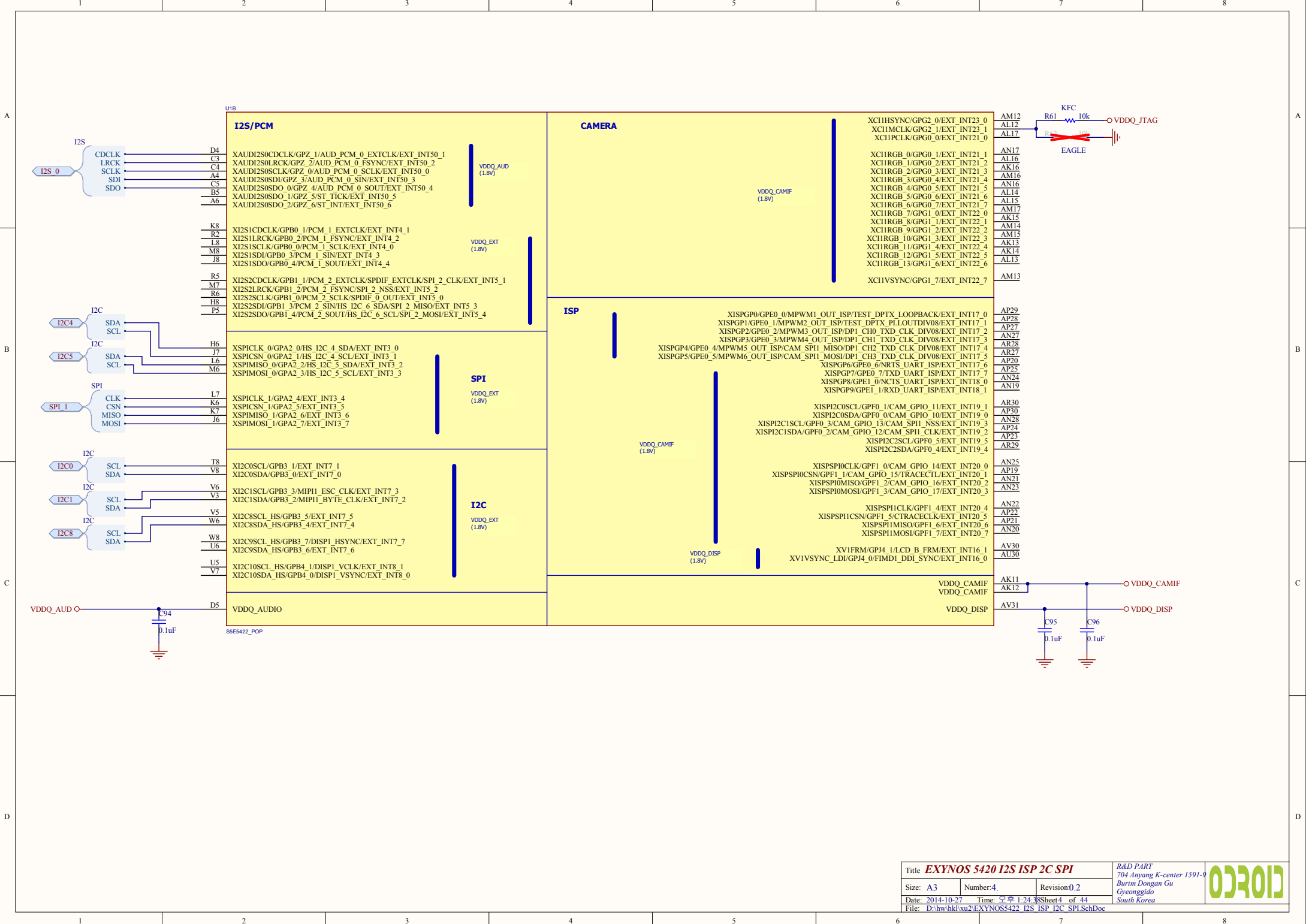
Title XU3-MAIN			Hardkernel Co.,LTD. 704 Anyang K-center 248-25 Dongan Gu, Anyang City Gyeonggido South Korea	
Size: A3	Number: 1.	Revision: 0.2		
Date: 2014-10-27	Time: 09:12:38	Sheet: 1 of 44		
File: D:\hw\hkl\XU3-MAIN.SchDoc			ANDROID	

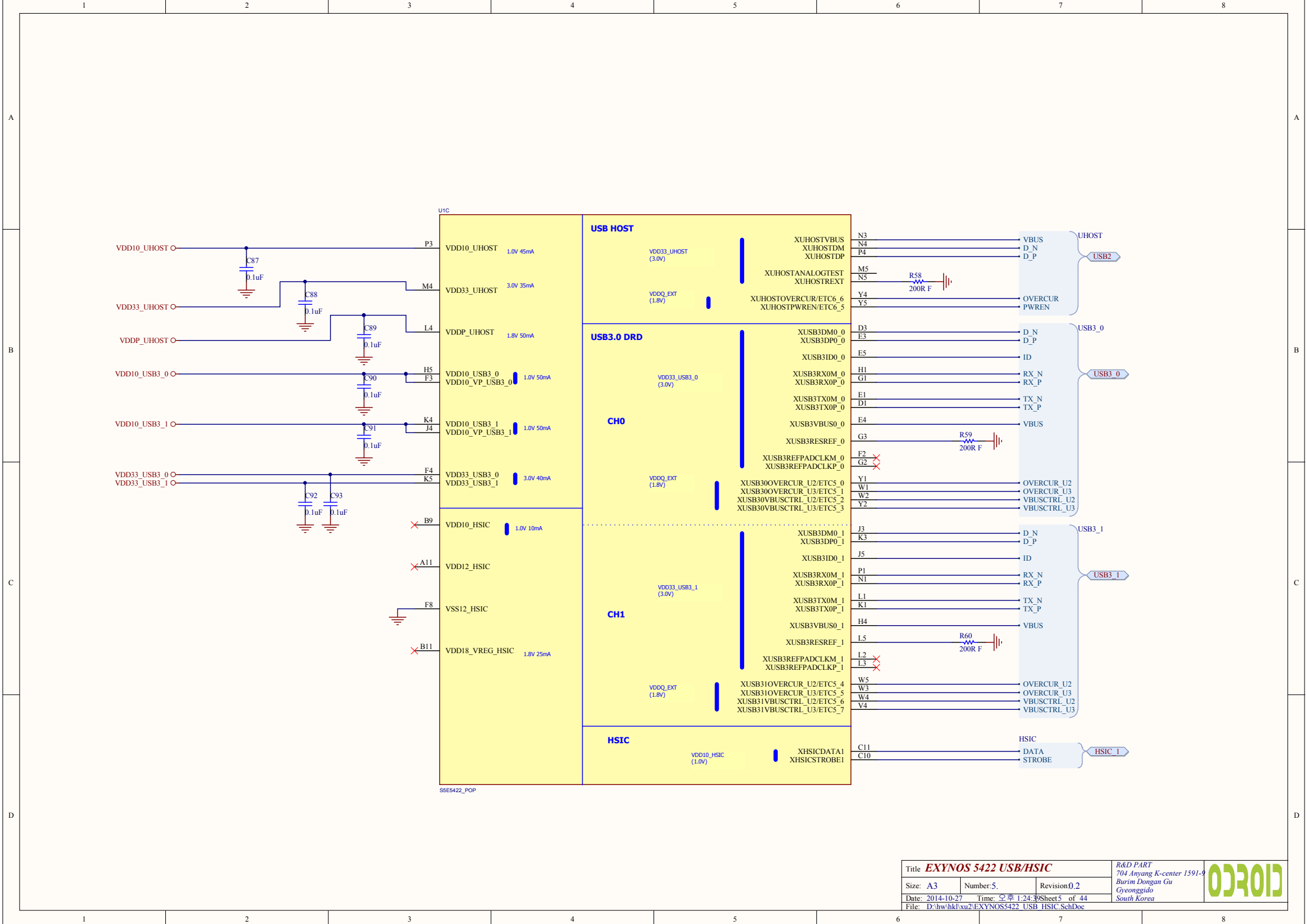


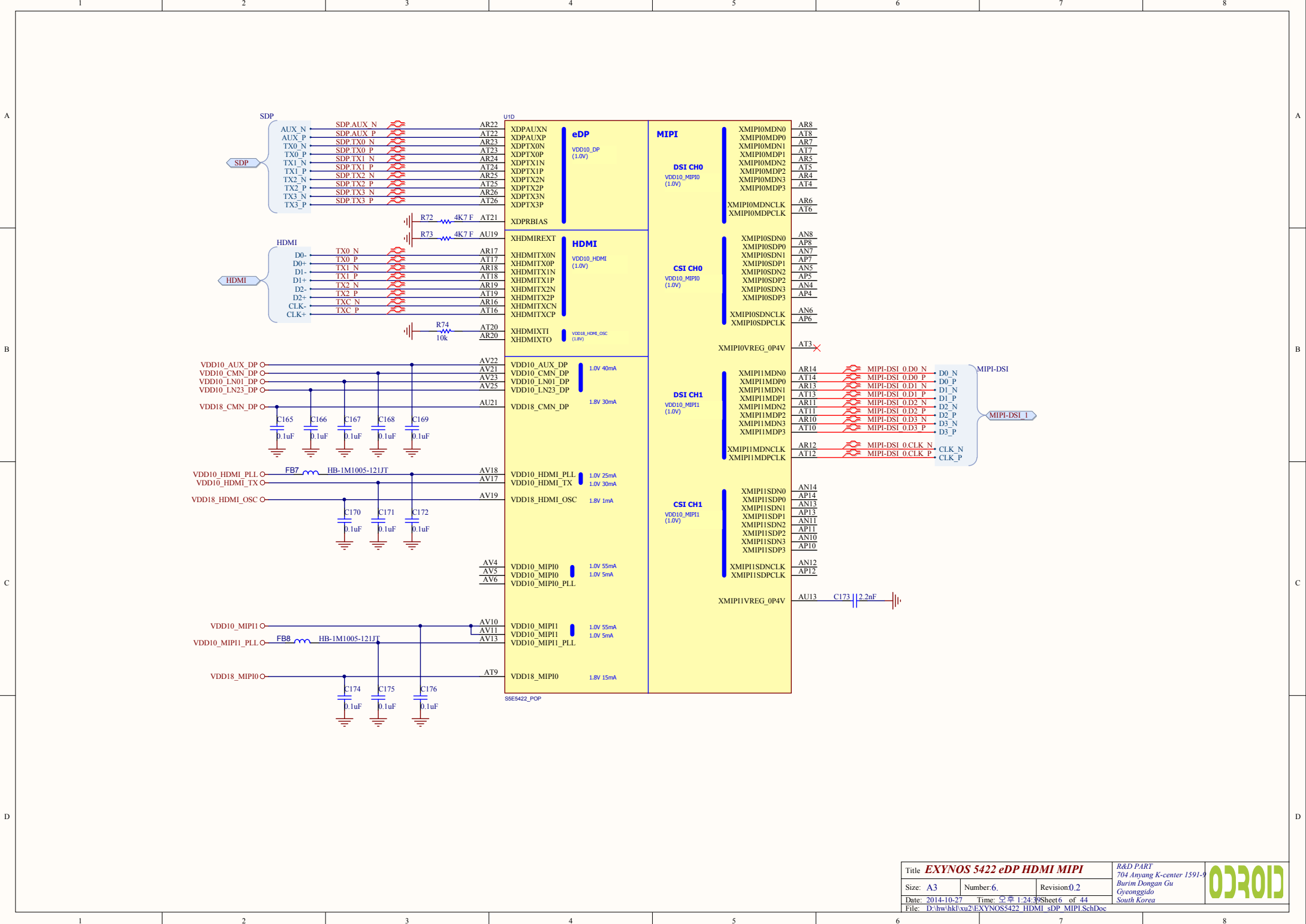
Title MCU EXYNOS 5422			R&D PART 704 Anyang K-center 248-25 Dongan Gu, Anyang City Gyeonggido South Korea	
Size: A4	Number: 2.	Revision: 0.2		
Date: 2014-10-27	Time: 오후 1:24:38	Sheet 2 of 44		
File: D:\hw\hkl\xu2\MCU_EXYNOS5422.SchDoc				

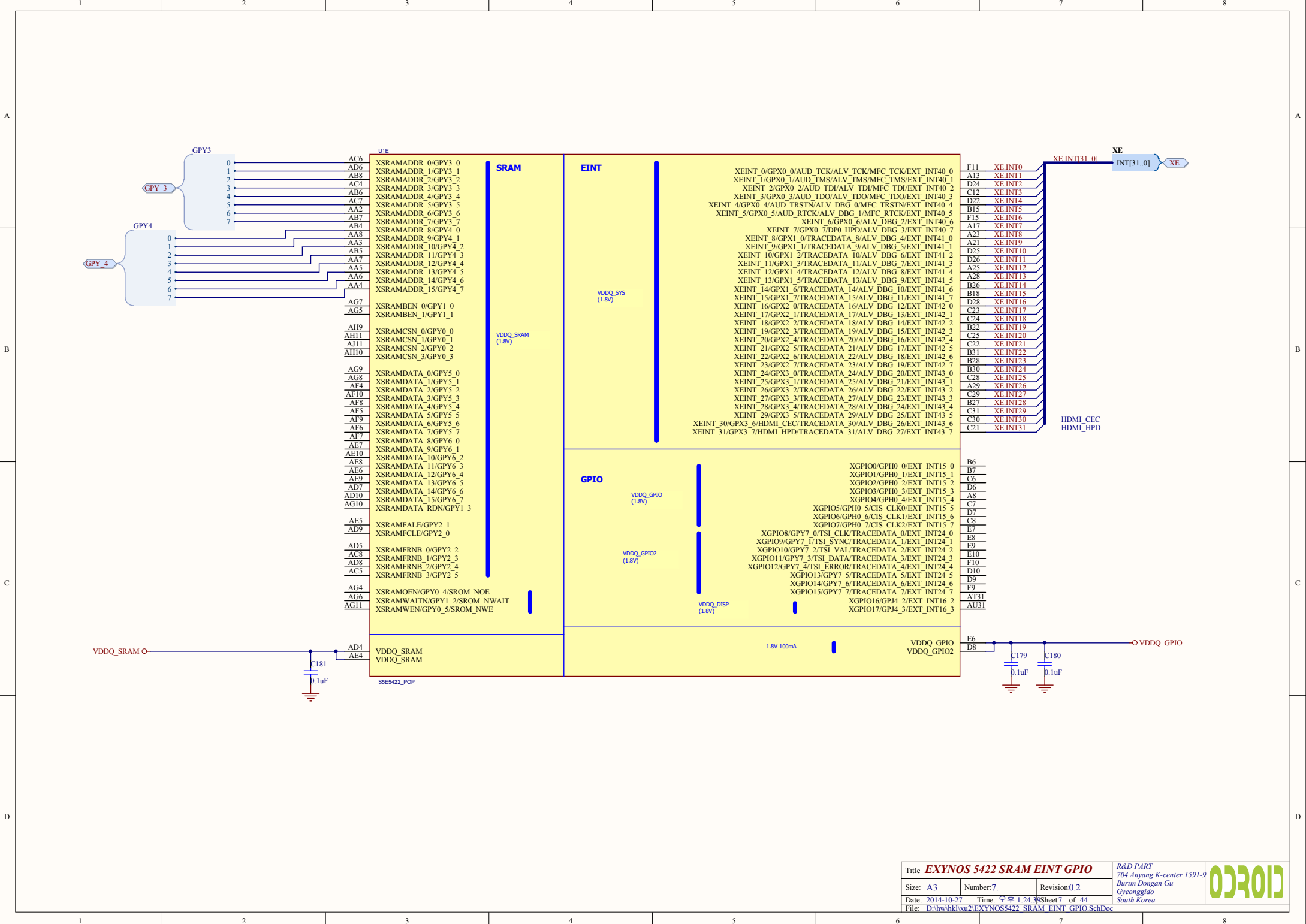


Revision	R1	R2	ADC value
0.1	NC	10K	0
0.2	100K	10K	372
0.3	100K	22K	739
0.4	100K	33K	1016
0.5	100K	47K	1309
0.6	100K	56K	1470
0.7	100K	68K	1657
0.8	100K	100K	2048



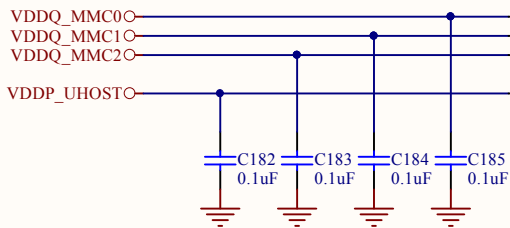
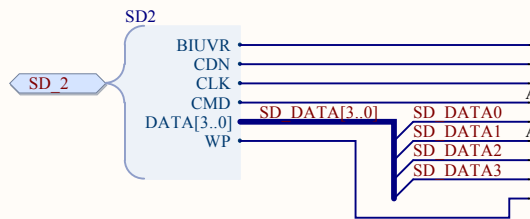
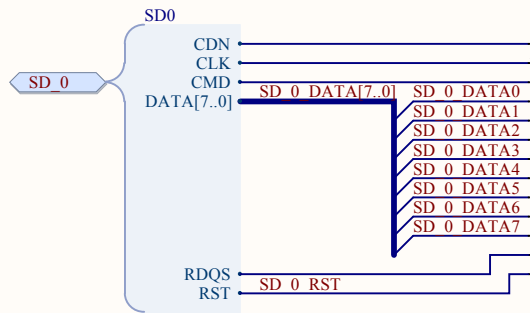






Pin	Signal	Block
AC6	XSRAMADDR_0/GPY3_0	SRAM
AD6	XSRAMADDR_1/GPY3_1	SRAM
AB8	XSRAMADDR_2/GPY3_2	SRAM
AC4	XSRAMADDR_3/GPY3_3	SRAM
AB6	XSRAMADDR_4/GPY3_4	SRAM
AC7	XSRAMADDR_5/GPY3_5	SRAM
AA2	XSRAMADDR_6/GPY3_6	SRAM
AB7	XSRAMADDR_7/GPY3_7	SRAM
AB4	XSRAMADDR_8/GPY4_0	SRAM
AA8	XSRAMADDR_9/GPY4_1	SRAM
AA3	XSRAMADDR_10/GPY4_2	SRAM
AB5	XSRAMADDR_11/GPY4_3	SRAM
AA7	XSRAMADDR_12/GPY4_4	SRAM
AA5	XSRAMADDR_13/GPY4_5	SRAM
AA6	XSRAMADDR_14/GPY4_6	SRAM
AA4	XSRAMADDR_15/GPY4_7	SRAM
AG7	XSRAMBEN_0/GPY1_0	SRAM
AG5	XSRAMBEN_1/GPY1_1	SRAM
AH9	XSRAMCSN_0/GPY0_0	SRAM
AH11	XSRAMCSN_1/GPY0_1	SRAM
AJ11	XSRAMCSN_2/GPY0_2	SRAM
AH10	XSRAMCSN_3/GPY0_3	SRAM
AG9	XSRAMDATA_0/GPY5_0	SRAM
AG8	XSRAMDATA_1/GPY5_1	SRAM
AF4	XSRAMDATA_2/GPY5_2	SRAM
AF10	XSRAMDATA_3/GPY5_3	SRAM
AF8	XSRAMDATA_4/GPY5_4	SRAM
AF5	XSRAMDATA_5/GPY5_5	SRAM
AF9	XSRAMDATA_6/GPY5_6	SRAM
AF6	XSRAMDATA_7/GPY5_7	SRAM
AF7	XSRAMDATA_8/GPY6_0	SRAM
AE7	XSRAMDATA_9/GPY6_1	SRAM
AE10	XSRAMDATA_10/GPY6_2	SRAM
AE8	XSRAMDATA_11/GPY6_3	SRAM
AE6	XSRAMDATA_12/GPY6_4	SRAM
AE9	XSRAMDATA_13/GPY6_5	SRAM
AD7	XSRAMDATA_14/GPY6_6	SRAM
AD10	XSRAMDATA_15/GPY6_7	SRAM
AG10	XSRAMDATA_RDN/GPY1_3	SRAM
AE5	XSRAMFALE/GPY2_1	SRAM
AD9	XSRAMFCLC/GPY2_0	SRAM
AD5	XSRAMFRNB_0/GPY2_2	SRAM
AC8	XSRAMFRNB_1/GPY2_3	SRAM
AD8	XSRAMFRNB_2/GPY2_4	SRAM
AC5	XSRAMFRNB_3/GPY2_5	SRAM
AG4	XSRAMOEN/GPY0_4/SROM_NOE	SRAM
AG6	XSRAMWAITN/GPY1_2/SROM_NWAIT	SRAM
AG11	XSRAMWEN/GPY0_5/SROM_NWE	SRAM
AD4	VDDQ_SRAM	SRAM
AE4	VDDQ_SRAM	SRAM
AD4	VDDQ_GPIO	GPIO
AE4	VDDQ_GPIO2	GPIO
AD4	VDDQ_DISP	GPIO

Title EXYNOS 5422 SRAM EINT GPIO			R&D PART	
Size: A3	Number: 7	Revision: 0.2	704 Anyang K-center 1591-9	
Date: 2014-10-27	Time: 1:24:30	Sheet: 7 of 44	Burim Dongan Gu	
File: D:\hw\hkl\ku2\EXYNOS5422 SRAM EINT GPIO.SchDoc			Gyeongido South Korea	



U1F

AK6	XMMC0CDN/GPC0_2/EXT_INT9_2
AL10	XMMC0CLK/GPC0_0/EXT_INT9_0
AM9	XMMC0CMD/GPC0_1/EXT_INT9_1
AG2	XMMC0DATA_0/GPC0_3/EXT_INT9_3
AG1	XMMC0DATA_1/GPC0_4/EXT_INT9_4
AJ8	XMMC0DATA_2/GPC0_5/EXT_INT9_5
AL11	XMMC0DATA_3/GPC0_6/EXT_INT9_6
AG3	XMMC0DATA_4/GPC3_0/EXT_INT12_0
AF3	XMMC0DATA_5/GPC3_1/EXT_INT12_1
AK7	XMMC0DATA_6/GPC3_2/EXT_INT12_2
AJ9	XMMC0DATA_7/GPC3_3/EXT_INT12_3
AK9	XMMC0RDQS/GPC0_7/EXT_INT9_7
AE3	XMMC0RESETOUT/GPD1_0/EXT_INT14_0

AC3	XMMC1BEPW/GPD1_2/EXT_INT14_2
AK10	XMMC1CDN/GPC1_2/EXT_INT10_2
AD2	XMMC1CLK/GPC1_0/EXT_INT10_0
AD1	XMMC1CMD/GPC1_1/EXT_INT10_1
AJ10	XMMC1DATA_0/GPC1_3/EXT_INT10_3
AH8	XMMC1DATA_1/GPC1_4/EXT_INT10_4
AJ5	XMMC1DATA_2/GPC1_5/EXT_INT10_5
AJ6	XMMC1DATA_3/GPC1_6/EXT_INT10_6
AC2	XMMC1DATA_4/GPD1_4/EXT_INT14_4
AC1	XMMC1DATA_5/GPD1_5/EXT_INT14_5
AB2	XMMC1DATA_6/GPD1_6/EXT_INT14_6
AH5	XMMC1DATA_7/GPD1_7/EXT_INT14_7
AH6	XMMC1INTN/GPD1_1/EXT_INT14_1
AD3	XMMC1RDQS/GPC1_7/EXT_INT10_7
AB3	XMMC1WP/GPD1_3/EXT_INT14_3

AM6	XMMC2BIUVR/GPC4_1/EXT_INT13_1
AL6	XMMC2CDN/GPC2_2/EXT_INT11_2
AM7	XMMC2CLK/GPC2_0/EXT_INT11_0
AM11	XMMC2CMD/GPC2_1/EXT_INT11_1
AM5	XMMC2DATA_0/GPC2_3/EXT_INT11_3
AM10	XMMC2DATA_1/GPC2_4/EXT_INT11_4
AN9	XMMC2DATA_2/GPC2_5/EXT_INT11_5
AL5	XMMC2DATA_3/GPC2_6/EXT_INT11_6
AK5	XMMC2WP/GPC4_0/EXT_INT13_0

AL7	VDDQ_MMC0	1.8V 150mA
AH7	VDDQ_MMC1	1.8V 150mA
AL8	VDDQ_MMC2	2.8V 250mA
AL9	VDDP_MMC	1.8V 50mA

SSE5422_POP

MMC

CH0
 VDDQ_MMC0 (1.8V)

CH1
 VDDQ_MMC1 (1.8V)

CH2
 VDDQ_MMC2 (1.8V/2.8V)

UFS

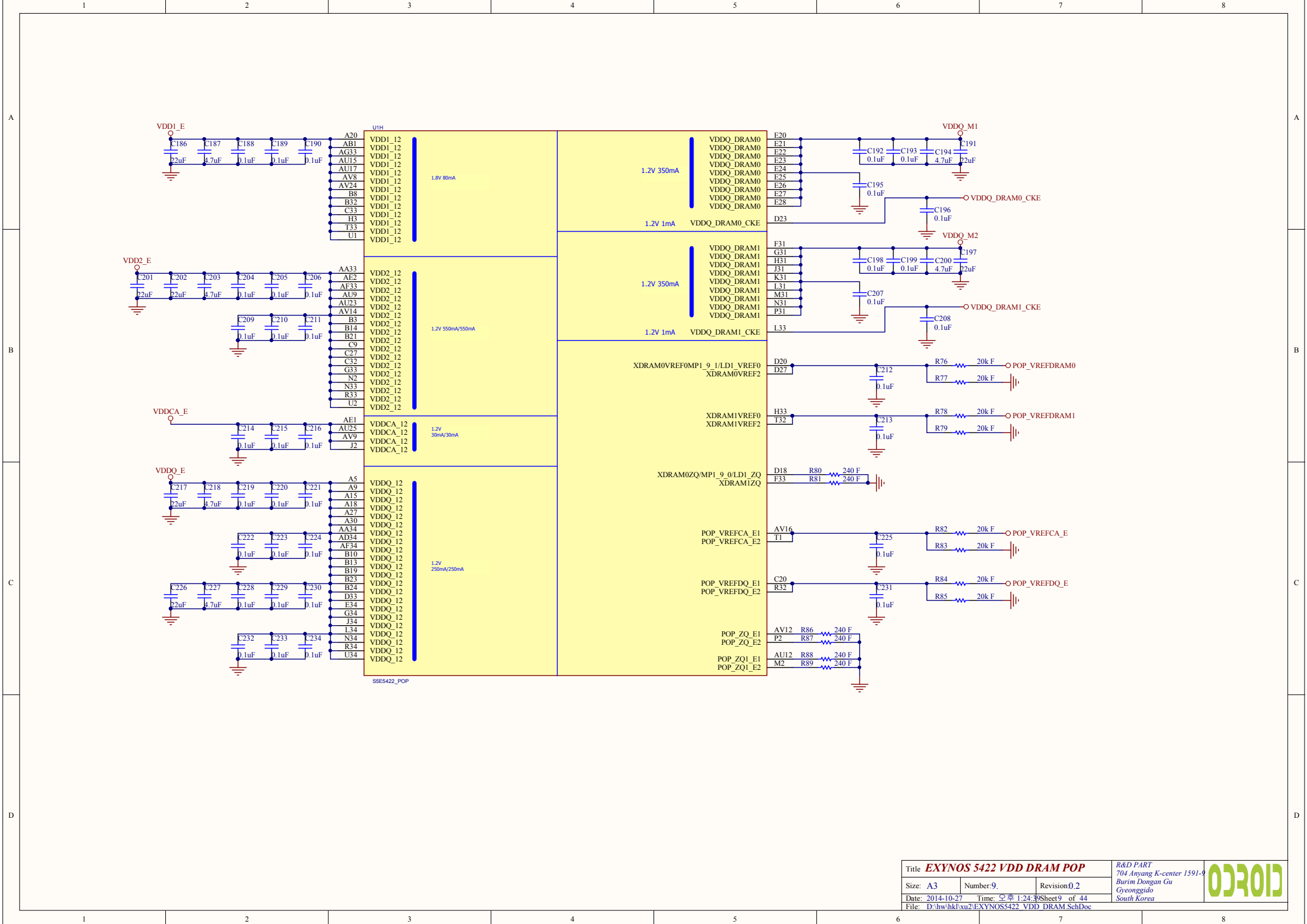
VDDQ_EXT (1.8V)	XUFSNRESET/ETC6_7	Y3
VDD_RX_UFS (1.0V)	XUFSRXDN0	AJ4
	XUFSRXDP0	AJ3
	XUFSRXDN1	AH4
	XUFSRXDP1	AH3
VDD_TX_UFS (1.0V)	XUFSTXDN0	AL4
	XUFSTXDP0	AL3
	XUFSTXDN1	AM4
	XUFSTXDP1	AM3
VDD_UFS_OSC (1.8V)	XUFSXTI	AP1
	XUFSXTO	AN1
VDD_CMN_UFS (1.0V)	XUFSREFCLK	AK4
	XUFSREFCLK_OUT	AK3
	XUFSREXT	AH2
1.0V 60mA	VDD_CMN_UFS	AK1
1.0V 60mA	VDD_RX_UFS	AL1
1.0V 60mA	VDD_TX_UFS	AJ1
1.8V 5mA	VDD_UFS_OSC	AN2
1.8V 1mA	VDDH_CMN_UFS	AK2

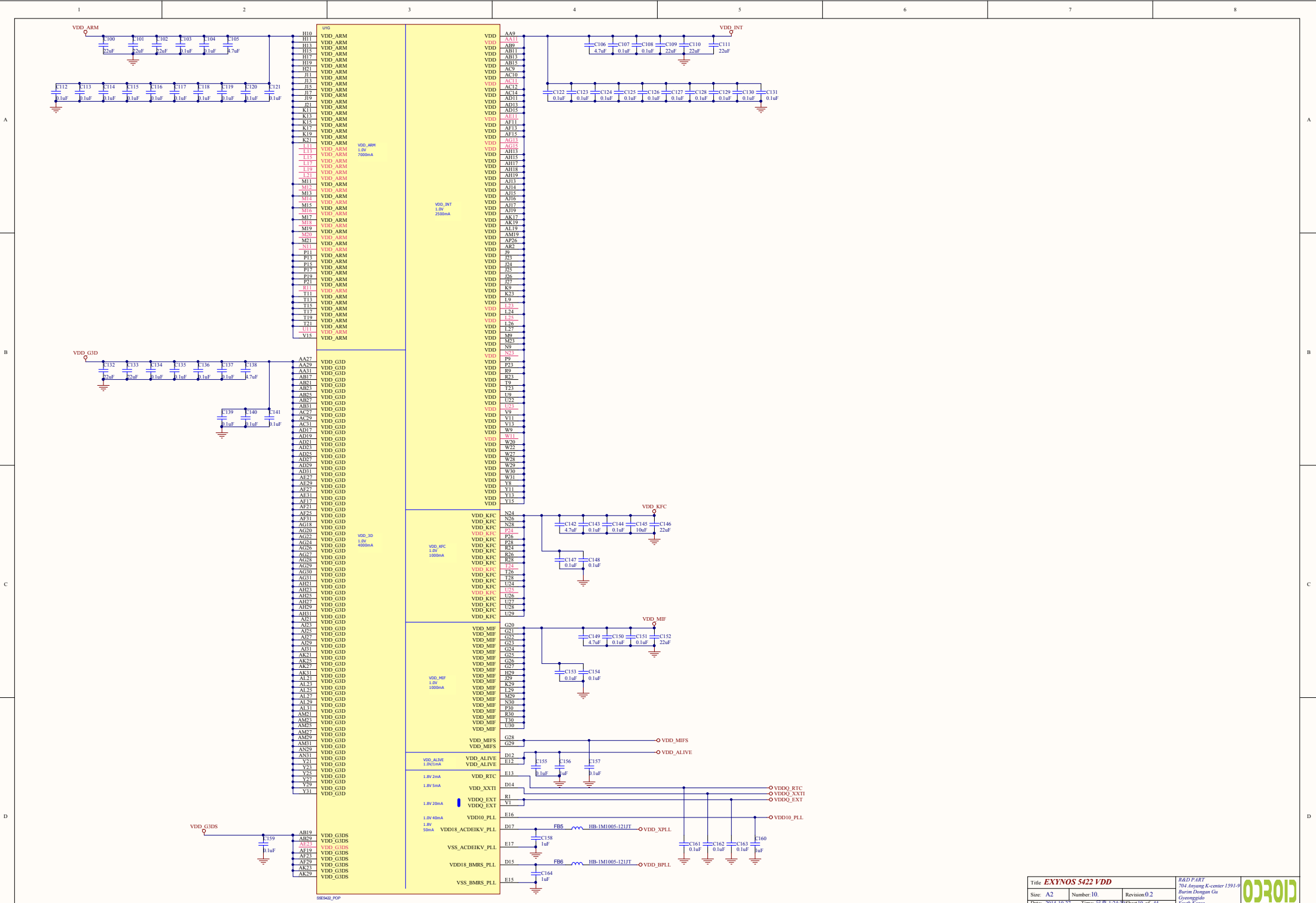
Title **EXYNOS 5422 MMC UFS**

Size: A4	Number: 8.	Revision: 0.2
Date: 2014-10-27	Time: 오후 1:24:39	Sheet 8 of 44
File: D:\hw\hkl\xu2\EXYNOS5422_MMC_UFS.SchDoc		

R&D PART
 704 Anyang K-center 1591-9
 Burim Dongan Gu
 Gyeonggido
 South Korea







Title: EXYNOS 5422 VDD		R&D PART	
Size: A2		704 Anyang K-center 1991-9	
Number: 10	Revision: 0.2	Busan Daegun Gyeongsido	
Date: 2014-10-27	Time: 11:26	Sheet: 07 / 44	
File: D:\hw\RF\2\EXYNOS5422_VDD_SchDoc		South Korea	

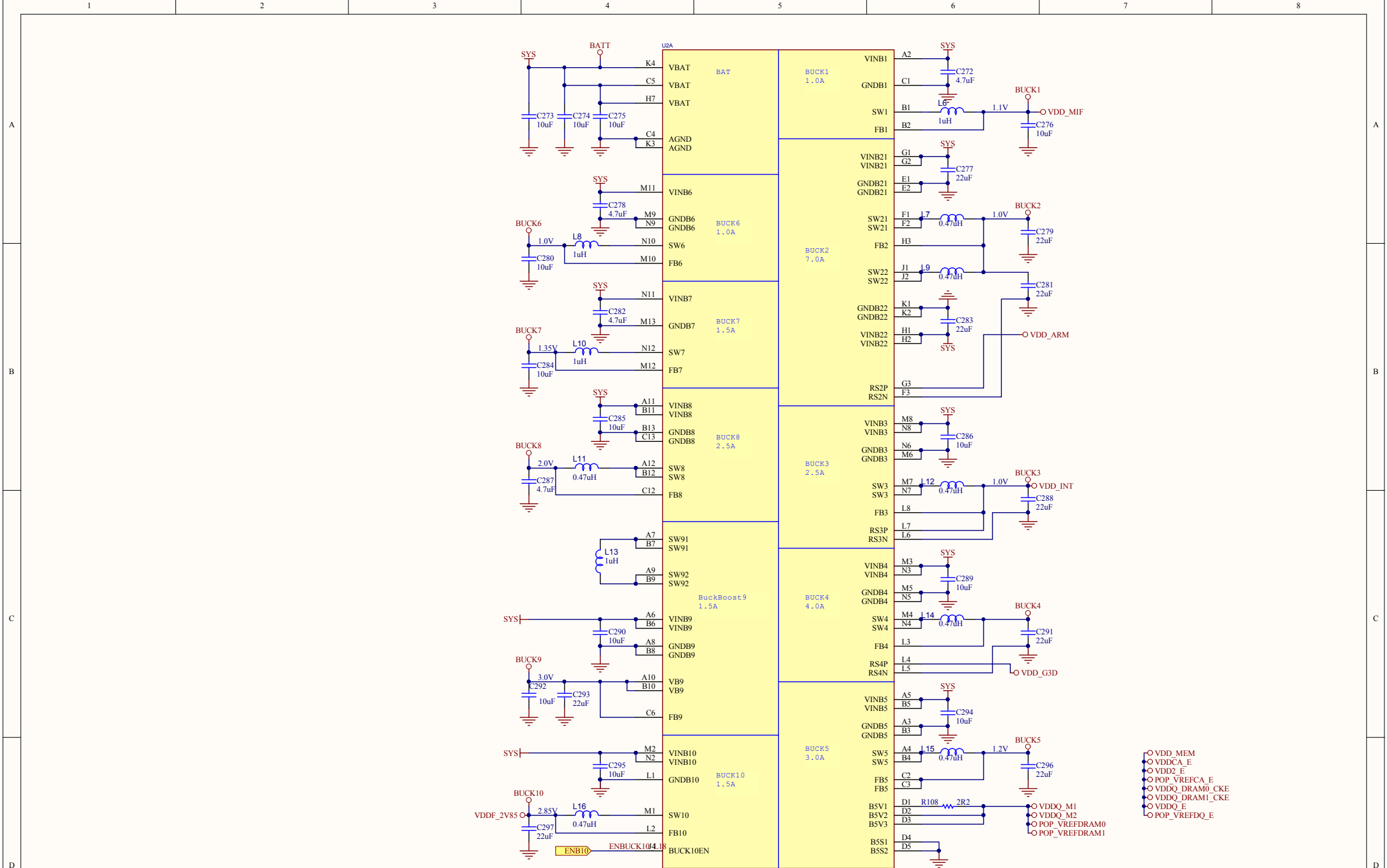


86542_PDP

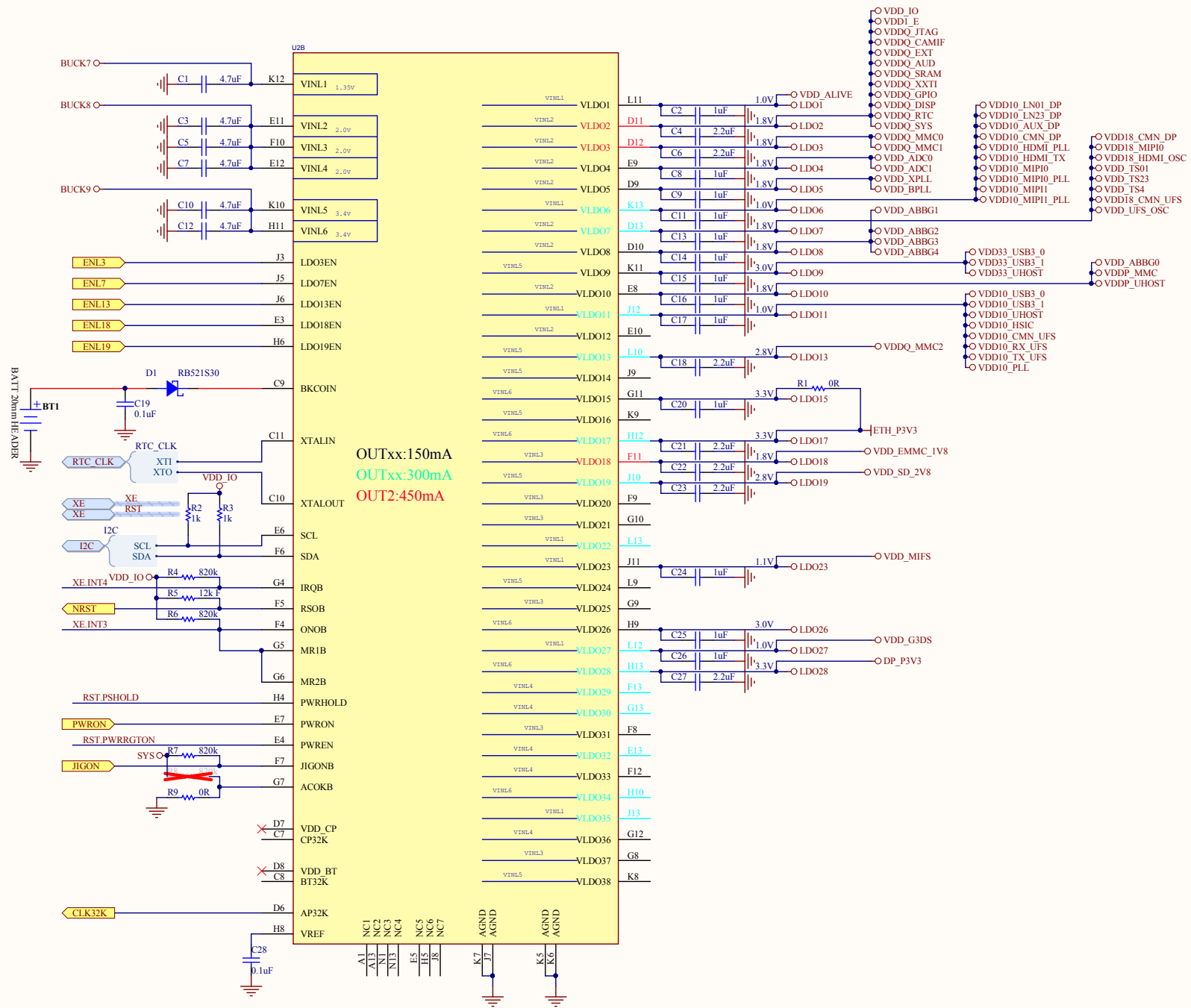
A1	VSS	A7	VSS
A10	VSS	A32	VSS
A11	VSS	A32	VSS
AA10	VSS	AA12	VSS
AA2	VSS	AA32	VSS
AA30	VSS	AA32	VSS
AB2	VSS	AB26	VSS
AB32	VSS	AB34	VSS
AC20	VSS	AC22	VSS
AC28	VSS	AC30	VSS
AD24	VSS	AD26	VSS
AD32	VSS	AD33	VSS
AH16	VSS	AH18	VSS
AE24	VSS	AE26	VSS
AE32	VSS	AE33	VSS
AF2	VSS	AF12	VSS
AF26	VSS	AF28	VSS
AG2	VSS	AG14	VSS
AG34	VSS	AH1	VSS
AH16	VSS	AH20	VSS
AH26	VSS	AH28	VSS
AH33	VSS	AH34	VSS
AH2	VSS	AH8	VSS
AJ2	VSS	AJ26	VSS
AJ2	VSS	AJ3	VSS
AK18	VSS	AK20	VSS
AK26	VSS	AK28	VSS
AK3	VSS	AK34	VSS
AL20	VSS	AL22	VSS
AL28	VSS	AL30	VSS
AL4	VSS	AM1	VSS
AM18	VSS	AM20	VSS
AM26	VSS	AM28	VSS
AM33	VSS	AN22	VSS
AN18	VSS	AN26	VSS
AN3	VSS	AN34	VSS
AP9	VSS	AP15	VSS
AP18	VSS	AP31	VSS
AP34	VSS	AP1	VSS
AR3	VSS	AR21	VSS
AR33	VSS	AR34	VSS
AT14	VSS	AT22	VSS
AT40	VSS	AT32	VSS
AH1	VSS	AH2	VSS
AU3	VSS	AU6	VSS
AU10	VSS	AU11	VSS
AU18	VSS	AU20	VSS
AU26	VSS	AU32	VSS
AV1	VSS	AV2	VSS
AV15	VSS	AV20	VSS
AV33	VSS	AV34	VSS
B4	VSS	B25	VSS
B4	VSS	C1	VSS
C16	VSS	C34	VSS
D29	VSS	D20	VSS
D34	VSS	F2	VSS
F30	VSS	F31	VSS
F1	VSS	F5	VSS
F22	VSS	F23	VSS
F26	VSS	F27	VSS
F30	VSS	F32	VSS
G5	VSS	G15	VSS
G20	VSS	G2	VSS
H12	VSS	H14	VSS
H20	VSS	H22	VSS
H25	VSS	H26	VSS
H30	VSS	H32	VSS
J10	VSS	J12	VSS
J12	VSS	J20	VSS
J30	VSS	J32	VSS
K10	VSS	K13	VSS
K18	VSS	K20	VSS
K35	VSS	K36	VSS
K30	VSS	K32	VSS
L10	VSS	L12	VSS
L18	VSS	L20	VSS
L30	VSS	L32	VSS
M10	VSS	M2	VSS
M3	VSS	M3	VSS
M32	VSS	M33	VSS
N12	VSS	N14	VSS
N20	VSS	N22	VSS
N29	VSS	N32	VSS
P2	VSS	P23	VSS
R12	VSS	P33	VSS
R20	VSS	R14	VSS
R29	VSS	R2	VSS
T25	VSS	R31	VSS
T34	VSS	T27	VSS
U2	VSS	U10	VSS
V12	VSS	U33	VSS
V30	VSS	V2	VSS
W10	VSS	V31	VSS
Y9	VSS	W12	VSS
Y26	VSS	Y17	VSS
		Y28	VSS
			VSS

Y22	NC0	NC39	AA13
Y20	NC1	NC40	AA15
Y19	NC1	NC40	AA16
Y18	NC2	NC41	AA19
Y17	NC3	NC42	AA18
Y16	NC4	NC43	AA19
Y14	NC5	NC44	AA19
Y14	NC6	NC45	AA19
W19	NC7	NC46	AB14
W19	NC8	NC47	AB16
W18	NC9	NC48	AB18
W17	NC10	NC49	AB20
W16	NC11	NC50	AB22
W15	NC12	NC51	AC13
W13	NC13	NC52	AC15
W22	NC14	NC53	AC17
W20	NC15	NC54	AC19
V19	NC16	NC55	AC1
V18	NC17	NC56	AD14
V17	NC18	NC57	AD16
V16	NC19	NC58	AD18
V14	NC20	NC59	AD20
U21	NC21	NC60	AD22
U19	NC22	NC61	R14
U17	NC23	NC62	R15
U15	NC24	NC63	R17
U13	NC25	NC64	R19
T22	NC26	NC66	R3
T20	NC27	NC66	T4
T18	NC27	NC66	T16
T18	NC28	NC67	T16
N13	NC29	NC68	AF16
N17	NC30	NC69	P28
N15	NC31	NC70	AF18
N19	NC32	NC71	P14
C1	NC33	NC71	P25
AE17	NC34	NC71	AF20
AE19	NC34	NC71	P16
AE21	NC35	NC74	AF14
AE13	NC36	NC74	AF22
AE13	NC37	NC76	P18
AE15	NC38	NC77	

BSE422_POP



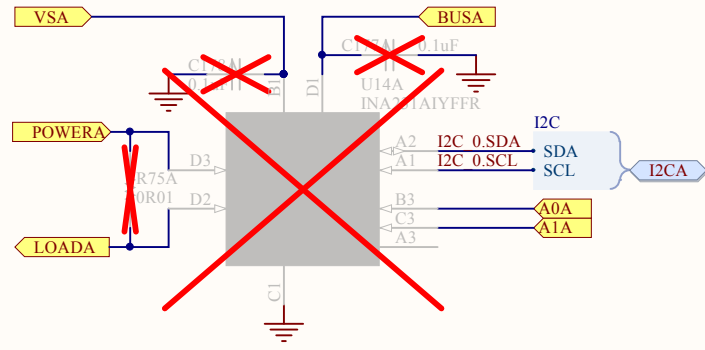
S2MPS11B 4TH
I2C ADDR : 0xCG(P0) 0x0C(RTC)




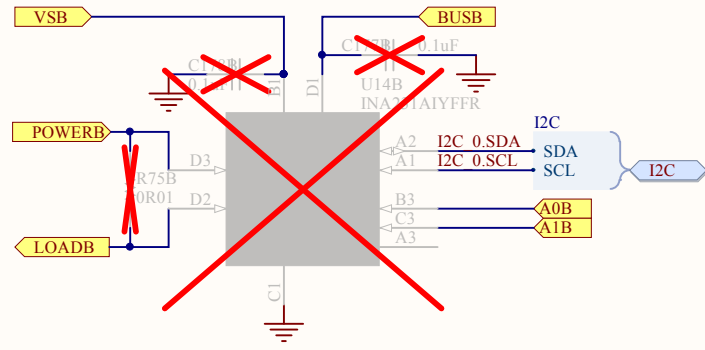
OUTxx:150mA
 OUTxx:300mA
 OUT2:450mA


S2MPS11X_8
 I2C ADDR : 0xCC(FM) 0x0C(RTC)

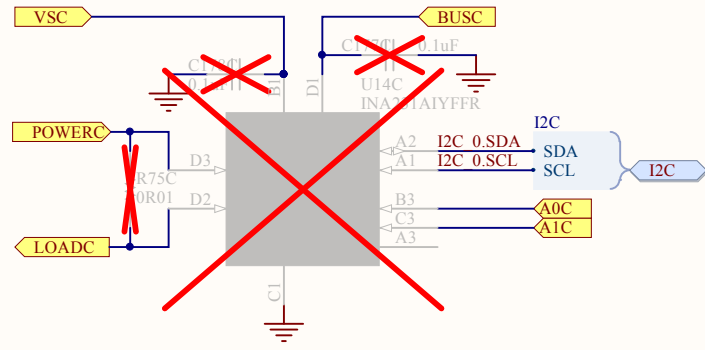





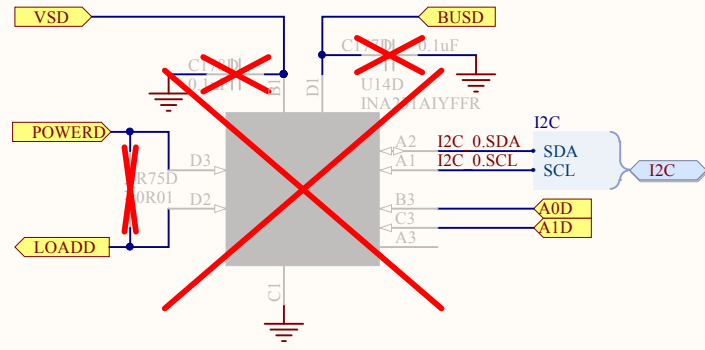
Title Current Sensor			Hardkernel Co.,LTD. 704 Anyang K-center 1591-5 Burim, Dongangu, Anyang Kyeonggido South Korea	
Size: A4	Number:14.1	Revision:0.2		
Date: 2014-10-27	Time: 오후 1:24:40	Sheet 14. bf 44		
File: D:\hw\hkl\xu2\INA231.SchDoc				




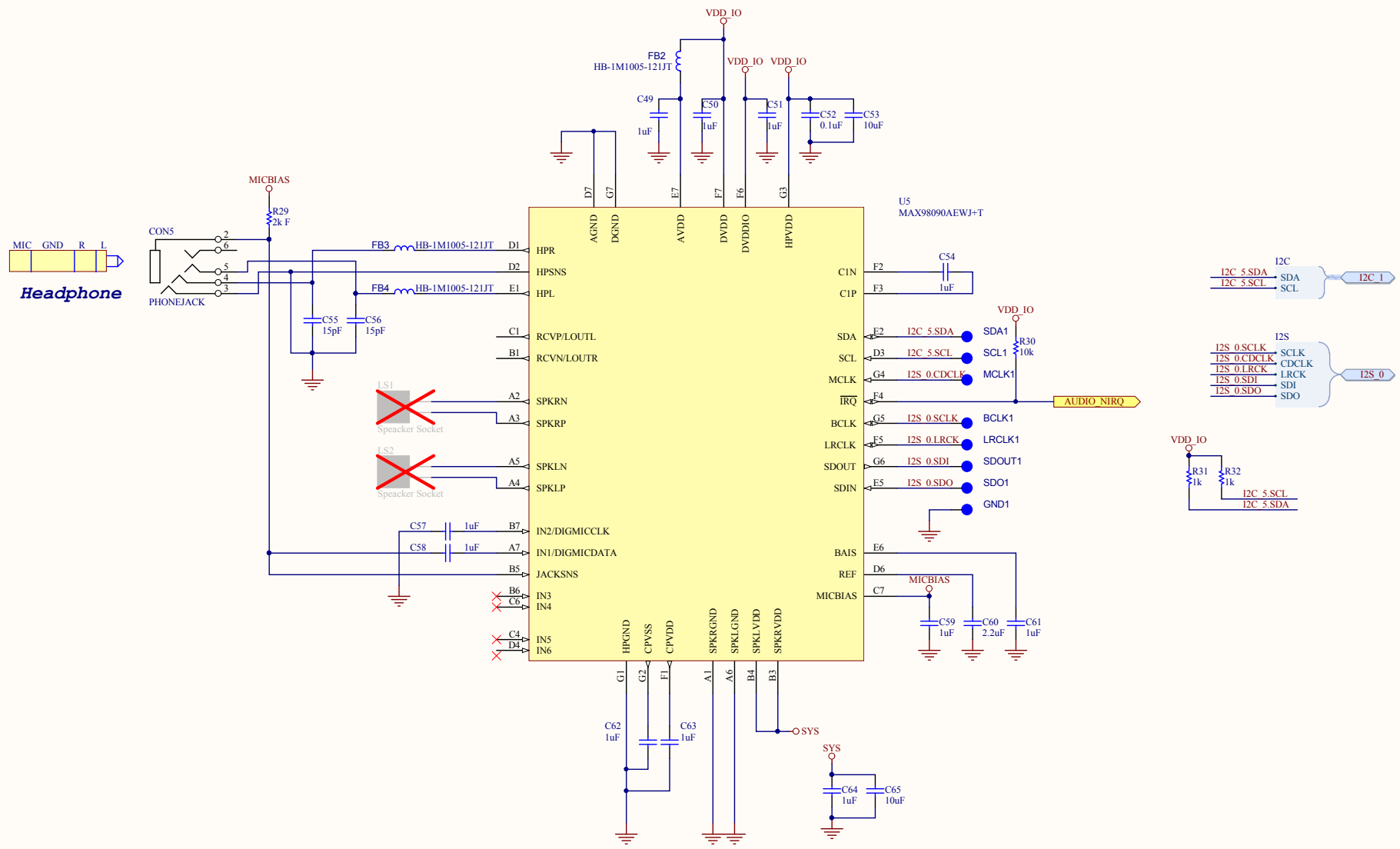
Title Current Sensor			Hardkernel Co.,LTD. 704 Anyang K-center 1591-5 Burim, Dongangu, Anyang Kyeonggido South Korea	
Size: A4	Number:14.2	Revision:0.2		
Date: 2014-10-27	Time: 오후 1:24:40	Sheet 14.2 of 44		
File: D:\hw\hkl\xu2\INA231.SchDoc				

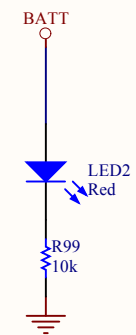
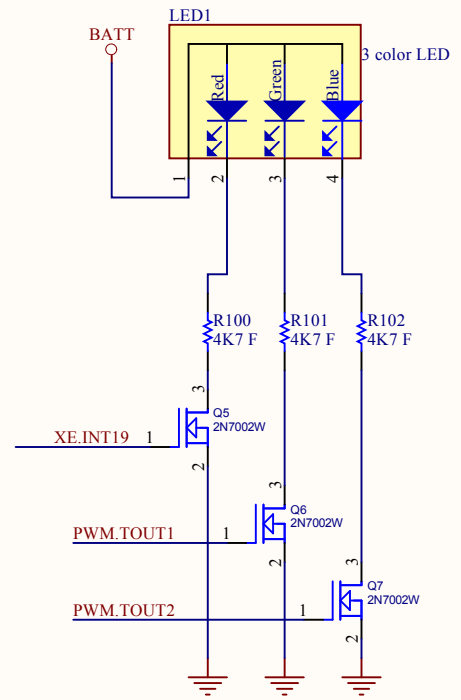


Title Current Sensor			Hardkernel Co.,LTD. 704 Anyang K-center 1591-5 Burim, Dongangu, Anyang Kyeonggido South Korea	
Size: A4	Number:14.3	Revision:0.2		
Date: 2014-10-27	Time: 오후 1:24:40	Sheet 14. of 44		
File: D:\hw\hkl\xu2\INA231.SchDoc				

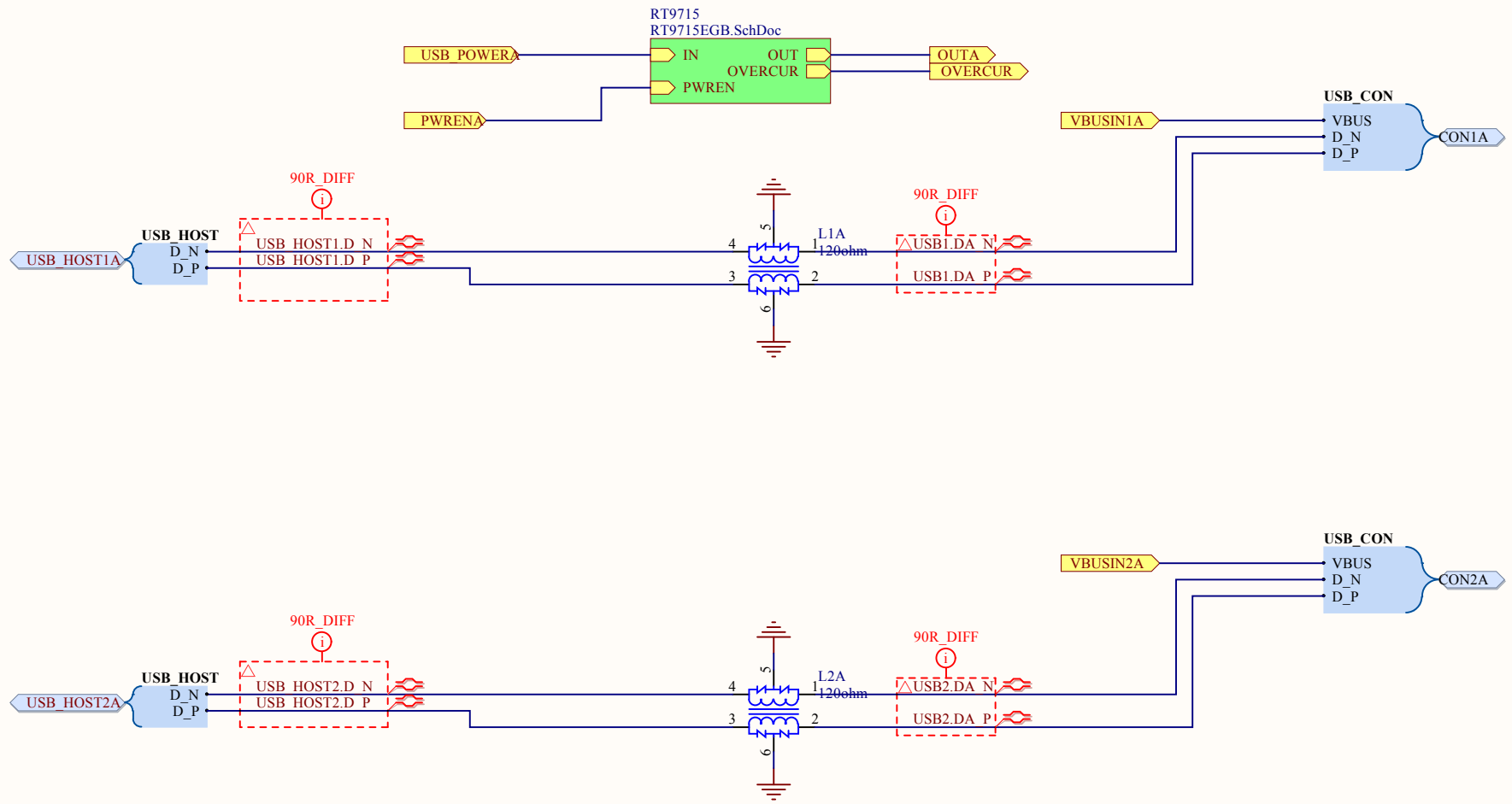


Title Current Sensor			Hardkernel Co.,LTD. 704 Anyang K-center 1591-5 Burim, Dongangu, Anyang Kyeonggido South Korea	
Size: A4	Number:14.4	Revision:0.2		
Date: 2014-10-27	Time: 오후 1:24:40	Sheet 14 of 44		
File: D:\hw\hkl\xu2\INA231.SchDoc				

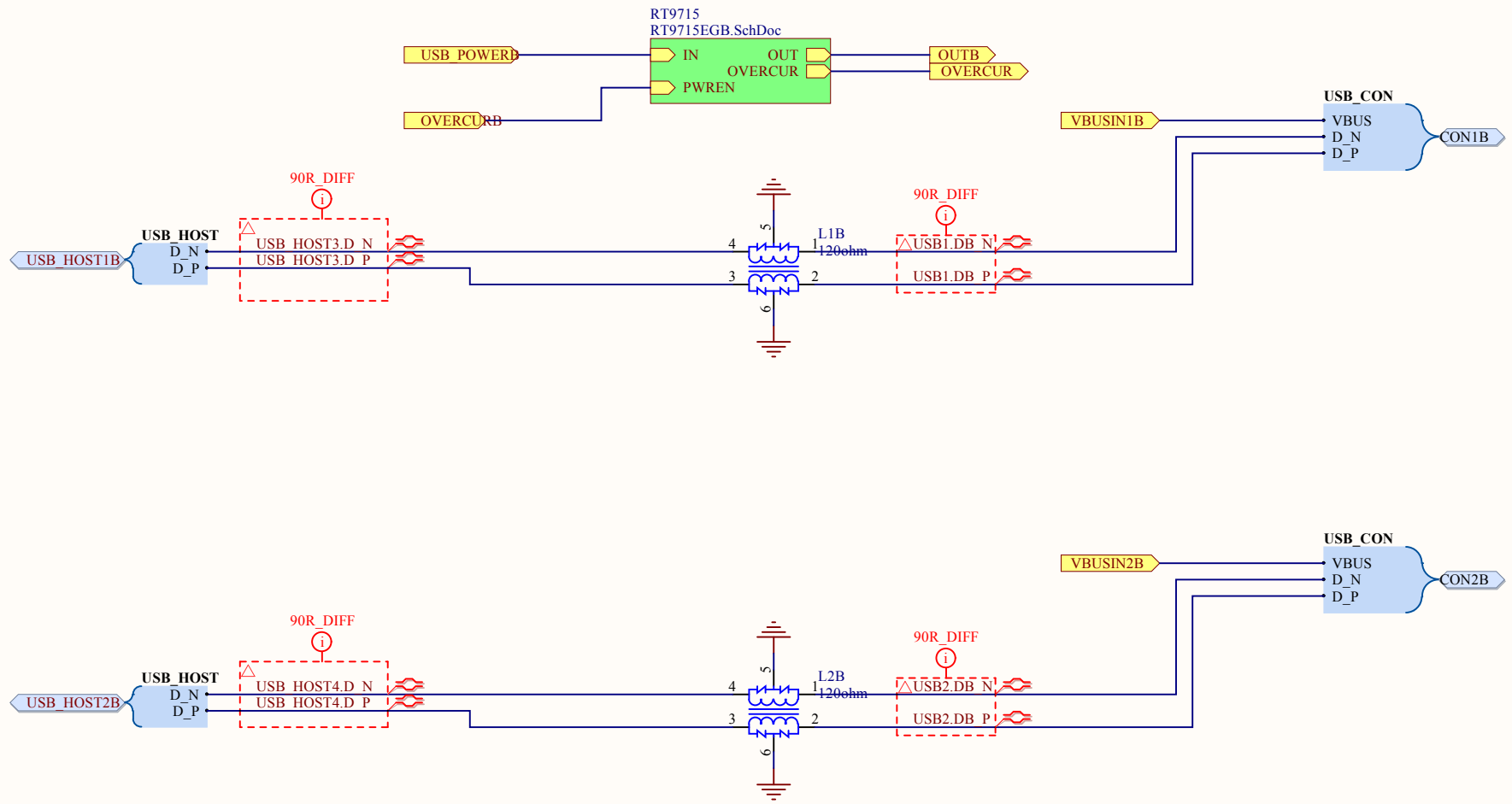





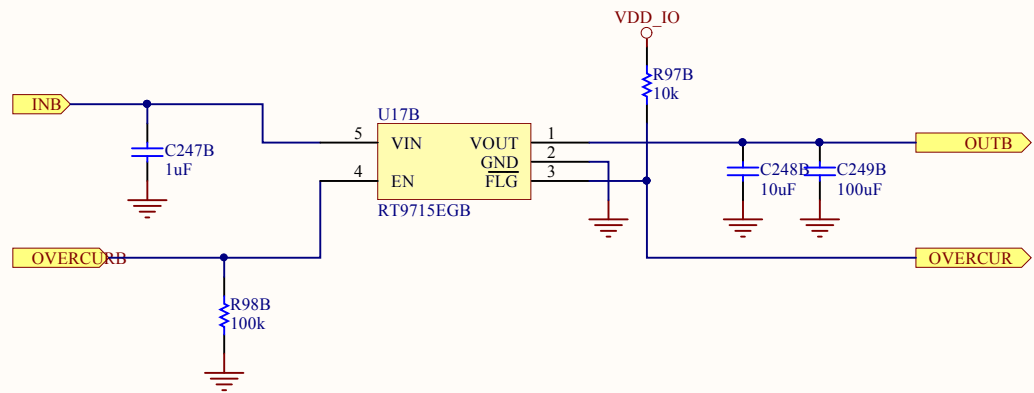
Title LEDs			Hardkernel Co.,LTD. 704 Anyang K-center 1591-9 Burim Dongan Gu Gyeonggido South Korea	
Size: A4	Number:16.	Revision:0.2		
Date: 2014-10-27	Time: 오후 1:24:41	Sheet 16 of 44		
File: D:\hw\hkl\xu2\XU_LEDS.SchDoc				



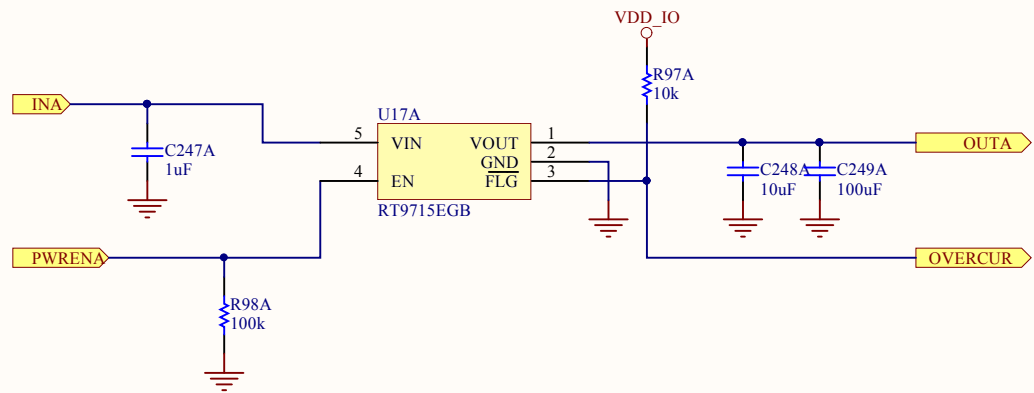
Title USB HOST Power Switch			Hardkernel Co.,LTD. 704 Anyang K-center 1591-9 Burim, Dongangu, Anyang Gyeonggido South Korea	
Size: A4	Number:17.1	Revision:0.2		
Date: 2014-10-27	Time: 오후 1:24:41	Sheet:17. bf 44		
File: D:\hw\hkl\xu2\USB_HOST_PWR_SW_RT9715.SchDoc				




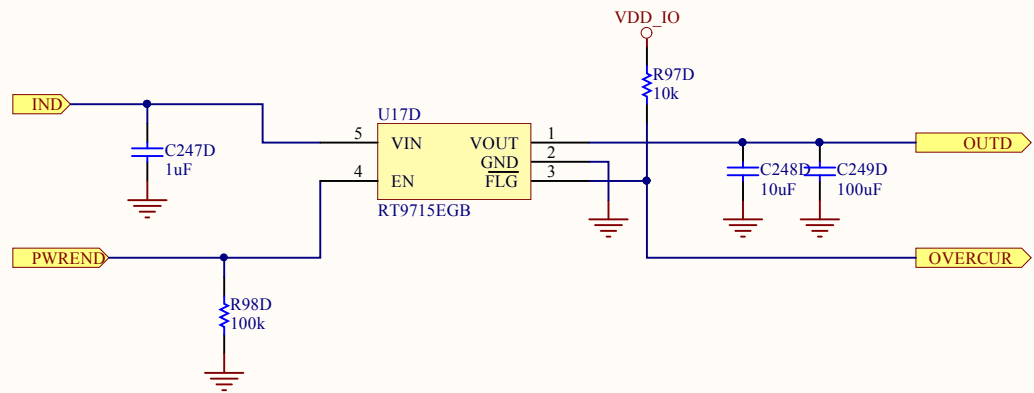
Title USB HOST Power Switch			Hardkernel Co.,LTD. 704 Anyang K-center 1591-9 Burim, Dongangu, Anyang Gyeonggido South Korea	
Size: A4	Number:17.2	Revision:0.2		
Date: 2014-10-27	Time: 오후 1:24:41	Sheet:17 of 44		
File: D:\hw\hkl\xu2\USB_HOST_PWR_SW_RT9715.SchDoc				




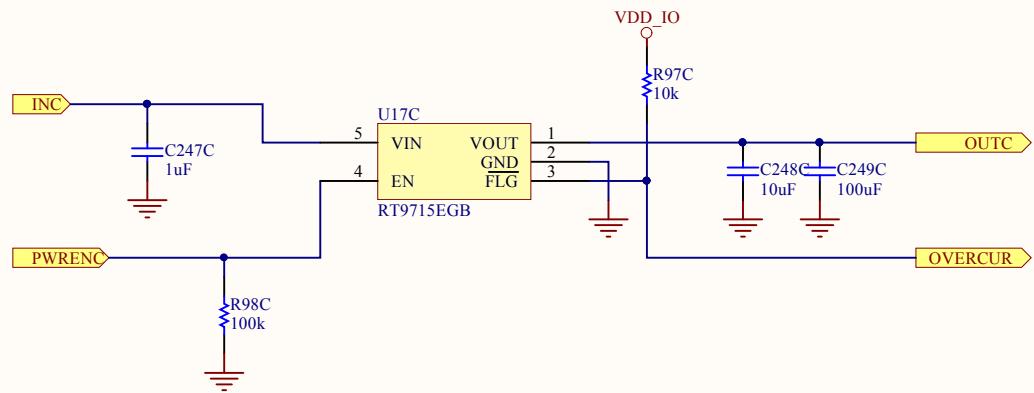
Title USB HOST Power Switch			Hardkernel Co.,LTD. 704 Anyang K-center 1591-9 Burim, Dongangu, Anyang Gyeonggido South Korea	
Size: A4	Number:18.1.1	Revision0.2		
Date: 2014-10-27	Time: 오후 1:24:41	Sheet 18. bfl 44		
File: D:\hw\hkl\xu2\RT9715EGB.SchDoc				




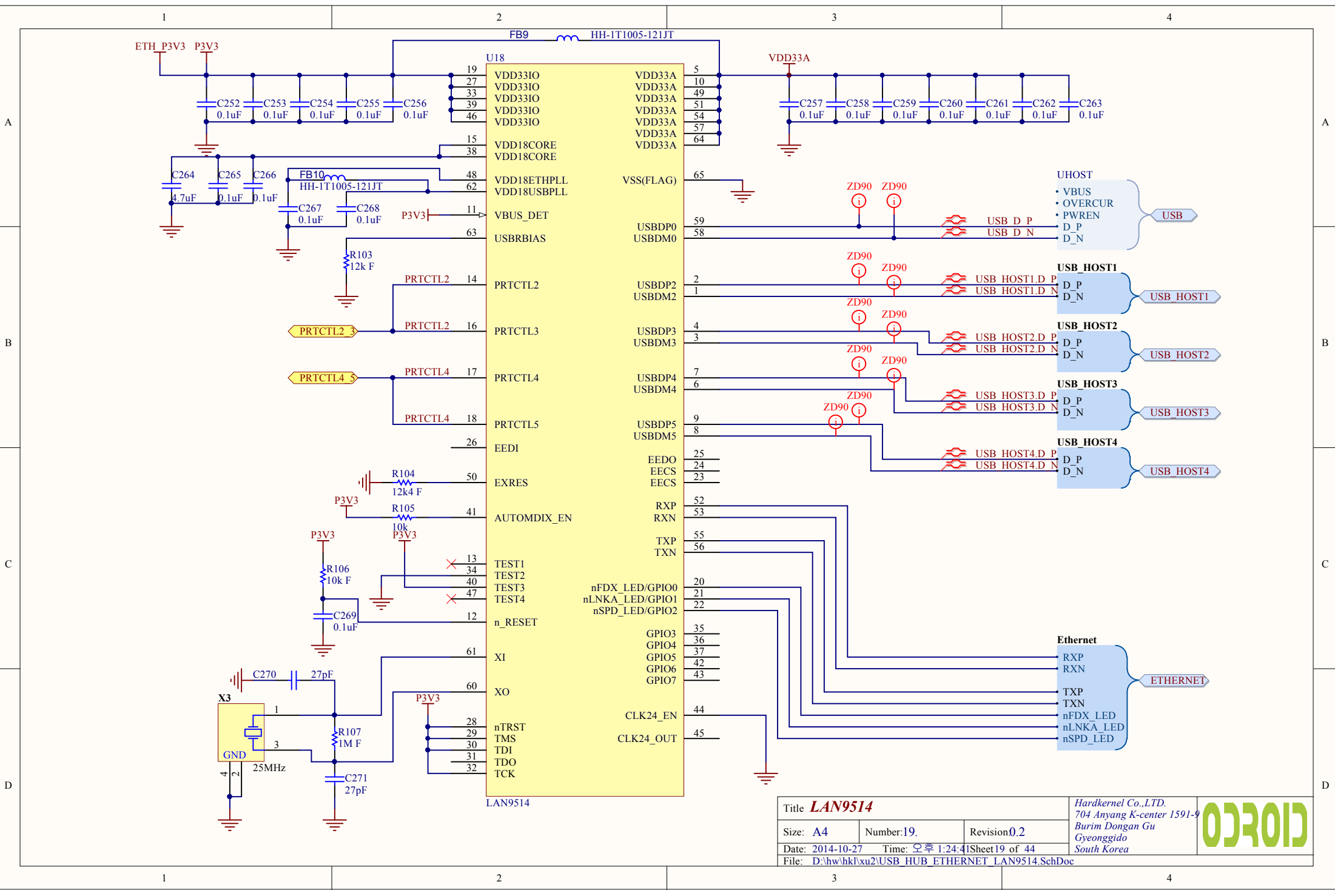
Title USB HOST Power Switch			Hardkernel Co.,LTD. 704 Anyang K-center 1591-9 Burim, Dongangu, Anyang Gyeonggido South Korea	
Size: A4	Number:18.1.1	Revision0.2		
Date: 2014-10-27	Time: 오후 1:24:41	Sheet 18. bfl 44		
File: D:\hw\hkl\xu2\RT9715EGB.SchDoc				




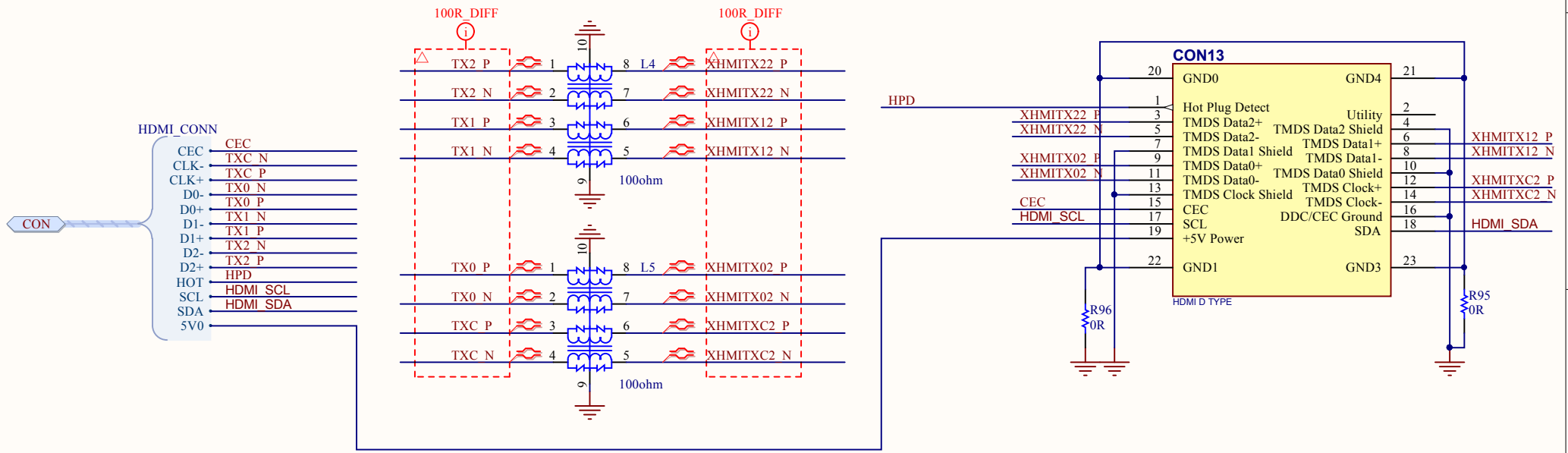
Title USB HOST Power Switch			Hardkernel Co.,LTD. 704 Anyang K-center 1591-9 Burim, Dongangu, Anyang Gyeonggido South Korea	
Size: A4	Number:18.2.1	Revision0.2		
Date: 2014-10-27	Time: 오후 1:24:41	Sheet 18.2 of 44		
File: D:\hw\hkl\xu2\RT9715EGB.SchDoc				




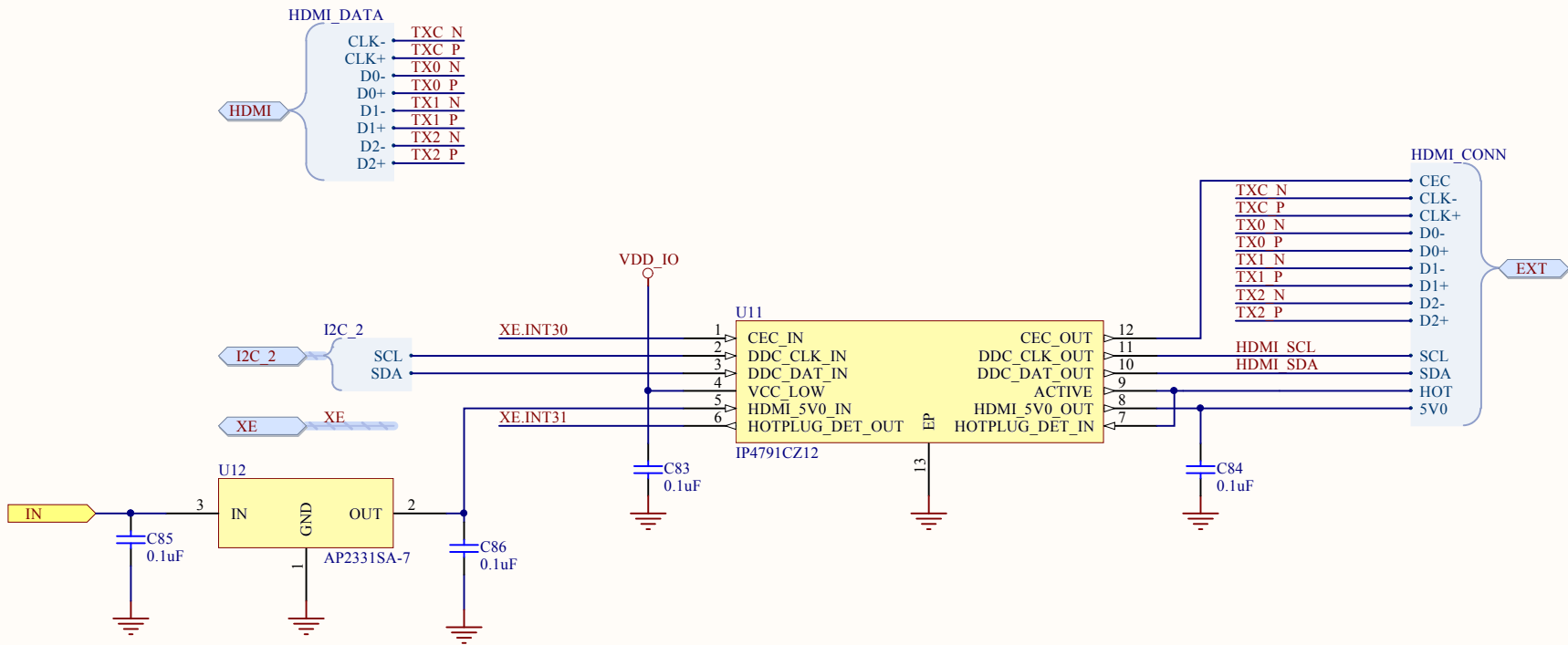
Title USB HOST Power Switch			Hardkernel Co.,LTD. 704 Anyang K-center 1591-9 Burim, Dongangu, Anyang Gyeonggido South Korea	
Size: A4	Number:18.2.1	Revision0.2		
Date: 2014-10-27	Time: 오후 1:24:41	Sheet 18.2 of 44		
File: D:\hw\hkl\xu2\RT9715EGB.SchDoc				



Title LAN9514			Hardkernel Co.,LTD. 704 Anyang K-center 1591-9 Burim Dongan Gu Gyeonggido South Korea	
Size: A4	Number: 19.	Revision: 0.2		
Date: 2014-10-27	Time: 오후 1:24:41	Sheet 19 of 44		
File: D:\hw\hkl\xu2\USB_HUB_ETHERNET_LAN9514.SchDoc				

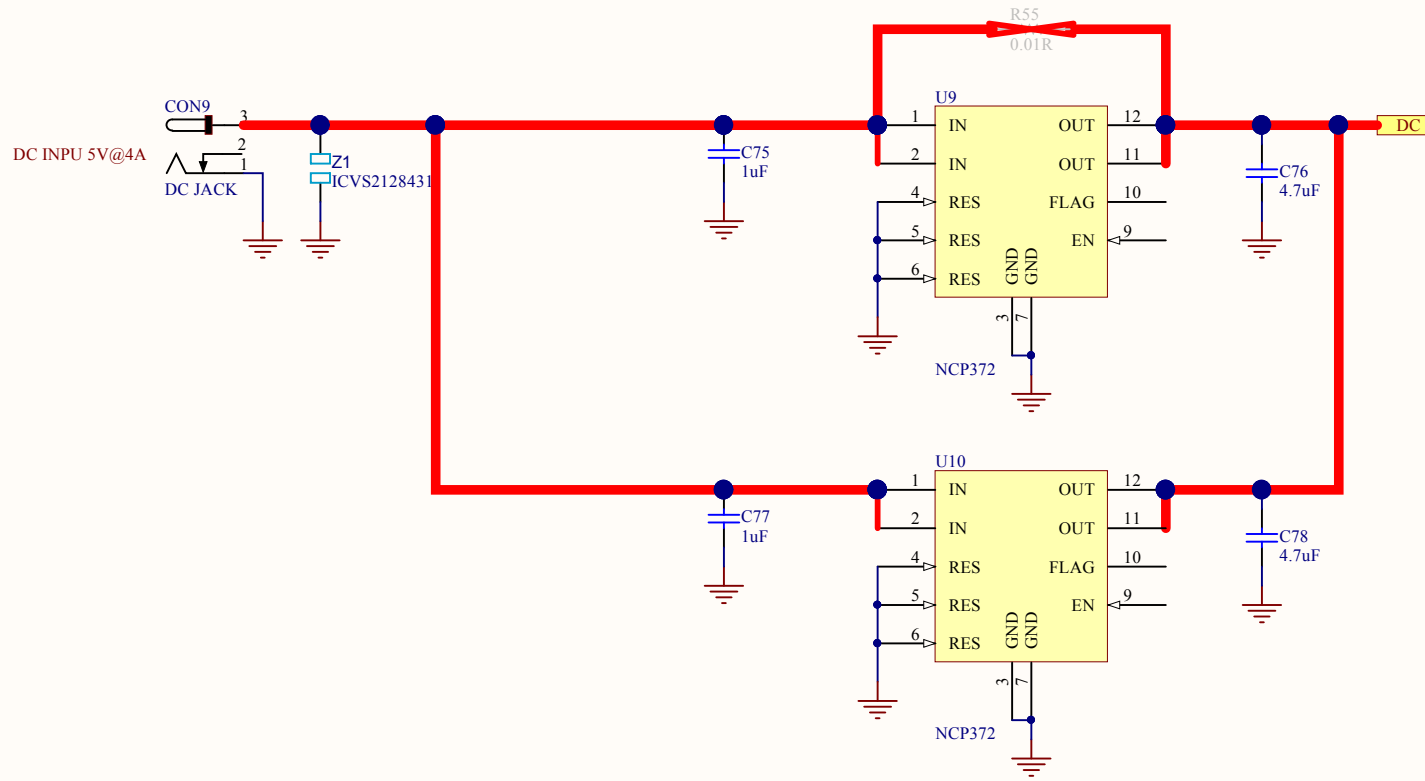


Title Micro HDMI Connector			Hardkernel Co.,LTD. 704 Anyang K-center 1591-5 Burim, Dongangu, Anyang Kyeonggido South Korea	
Size: A4	Number:20.	Revision:0.2		
Date: 2014-10-27	Time: 오후 1:24:41	Sheet 20 of 44		
File: D:\hw\hkl\xu2\CON_HDMI.SchDoc				

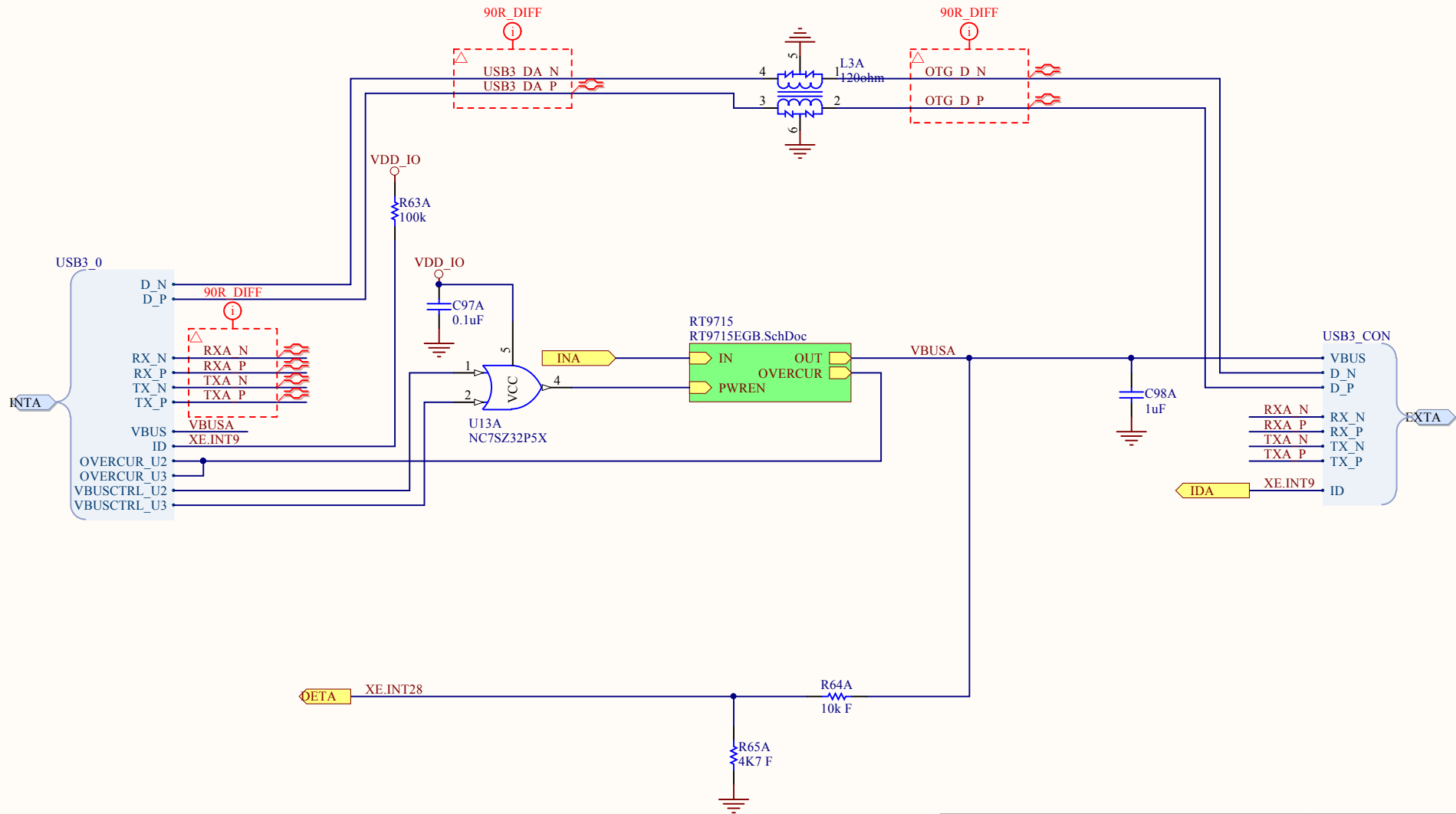



Title HDMI 2C			Hardkernel Co.,LTD. 704 Anyang K-center 1591-5 Burim, Dongangu, Anyang Kyeonggido South Korea
Size: A4	Number:21.	Revision:0.2	
Date: 2014-10-27	Time: 오후 1:24:42	Sheet 21 of 44	
File: D:\hw\hkl\xu2\HDMI_I2C.SchDoc			

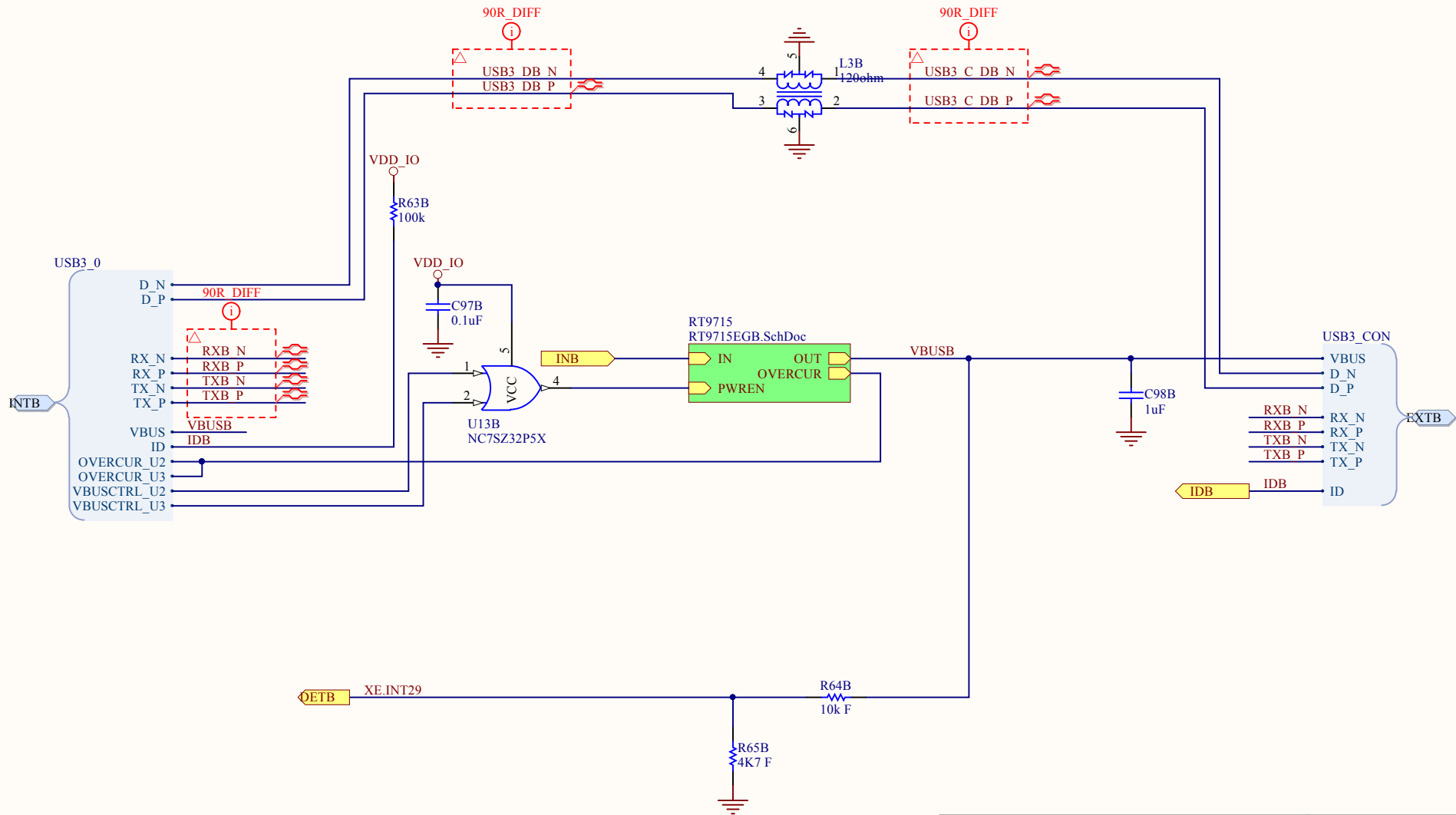





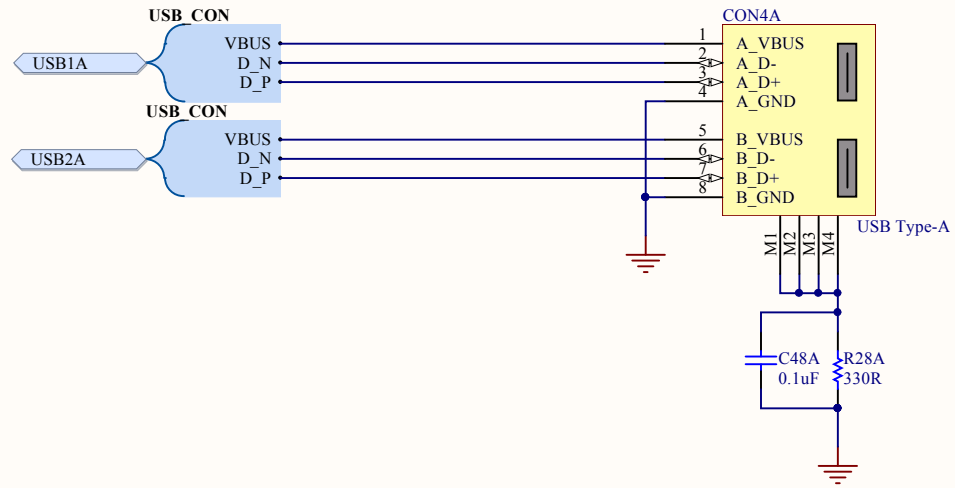
Title DC Jack and Potection IC			Hardkernel Co.,LTD. 704 Anyang K-center 1591-9 Burim, Dongangu, Anyang Gyeonggido South Korea
Size: A4	Number:22.	Revision:0.2	OSROID
Date: 2014-10-27	Time: 오후 1:24:42 Sheet 22 of 44		
File: D:\hw\hkl\xu2\CON_DCJACK.SchDoc			




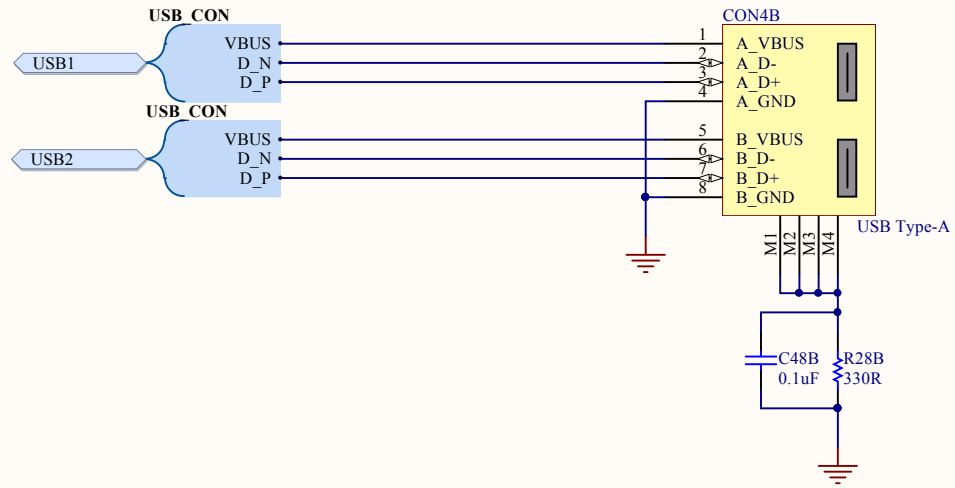
Title USB3 BUS POWER			Hardkernel Co.,LTD. 1-605 Shinan Metrokhan 111 Dalandong, Dongangu, Anyang Gyeonggido South Korea	
Size: A4	Number:23.1	Revision:0.2		
Date: 2014-10-27	Time: 오후 1:24:42	Sheet:23. bf 44		
File: D:\hw\hkl\xu2\USB3_BUS_PWR.SchDoc				




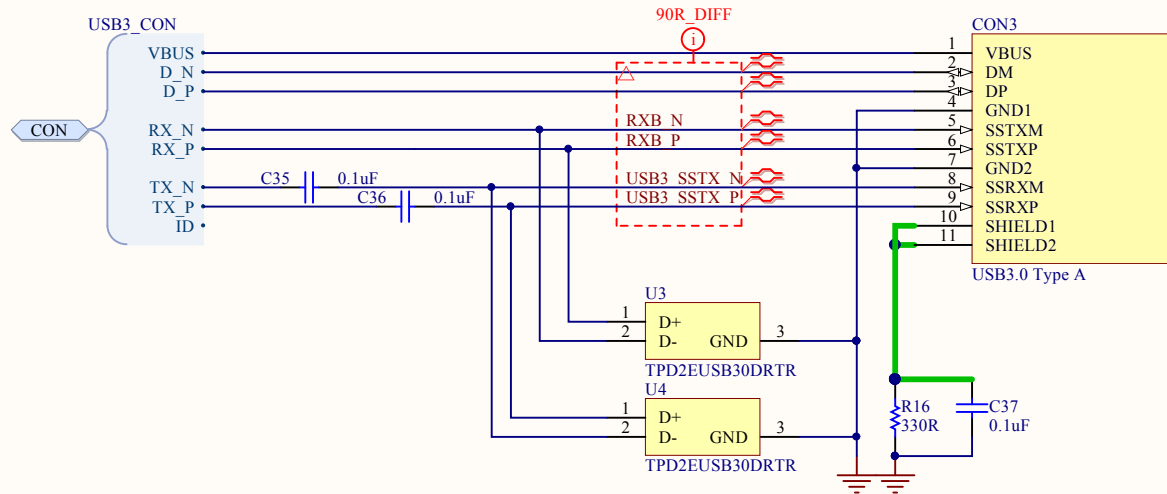
Title USB3 BUS POWER			Hardkernel Co.,LTD. 1-605 Shinan Metrokhan 111 Dalandong, Dongangu, Anya Gyeonggido South Korea	
Size: A4	Number:23.2	Revision:0.2		
Date: 2014-10-27	Time: 오후 1:24:42	Sheet:23 of 44		
File: D:\hw\hkl\xu2\USB3_BUS_PWR.SchDoc				




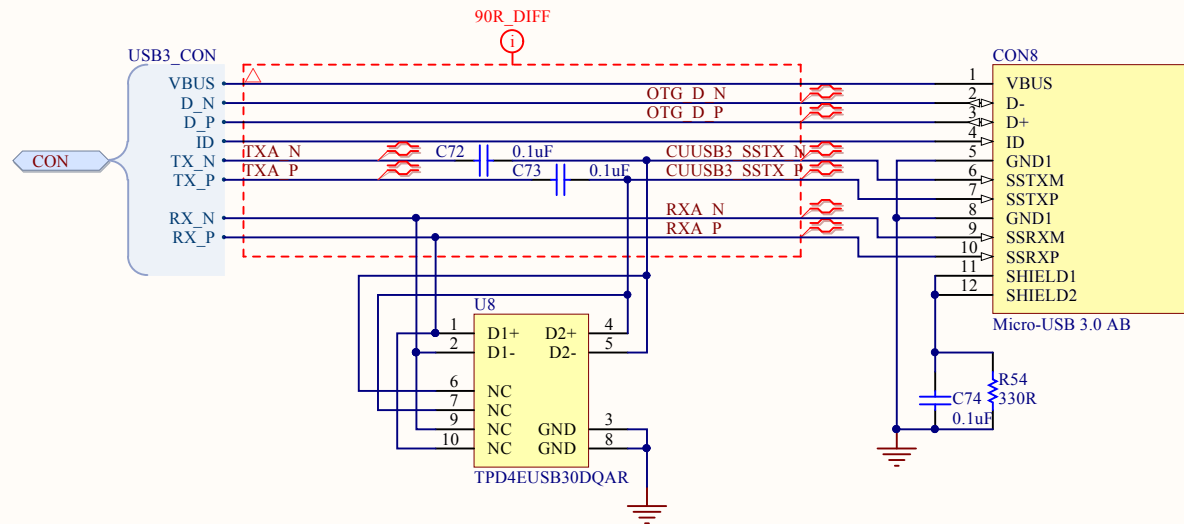
Title USB 2.0 Type A Connector			<i>Hardkernel Co.,LTD.</i> 1-605 Shinan Metrokhan 111 Dalandong, Dongangu, Anyang Gyeonggido South Korea	
Size: A4	Number:24.1	Revision:0.2		
Date: 2014-10-27	Time: 오후 1:24:42	Sheet:24. bf 44		
File: D:\hw\hkl\xu2\CON_USB_RA_DUAL.SchDoc				




Title USB 2.0 Type A Connector			<i>Hardkernel Co.,LTD.</i> 1-605 Shinan Metrokhan 111 Dalandong, Dongangu, Anyang Gyeonggido South Korea	
Size: A4	Number:24.2	Revision:0.2		
Date: 2014-10-27	Time: 오후 1:24:42	Sheet:24 of 44		
File: D:\hw\hkl\xu2\CON_USB_RA_DUAL.SchDoc				



Title USB 3.0 Type A Connector			Hardkernel Co.,LTD. 1-605 Shinan Metrokhan 111, Dalandong, Dongangu, Anyang, Gyeonggido South Korea	
Size: A4	Number:25.	Revision:0.2		
Date: 2014-10-27	Time: 오후 1:24:42	Sheet 25 of 44		
File: D:\hw\hkl\xu2\CON_USB3_RA.SchDoc				



Title Micro USB 3.0 Connector			Hardkernel Co.,LTD. 704 Anyang K-center 1591-5 Burim, Dongangu, Anyang Kyeonggido South Korea	
Size: A4	Number:26.	Revision:0.2		
Date: 2014-10-27	Time: 오후 1:24:42	Sheet 26 of 44		
File: D:\hw\hkl\xu2\CON_USB3_MICROUSB.SchDoc				

1

2

3

4

A

A

B

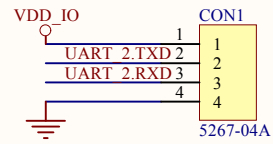
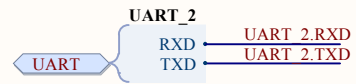
B


C

C

D

D



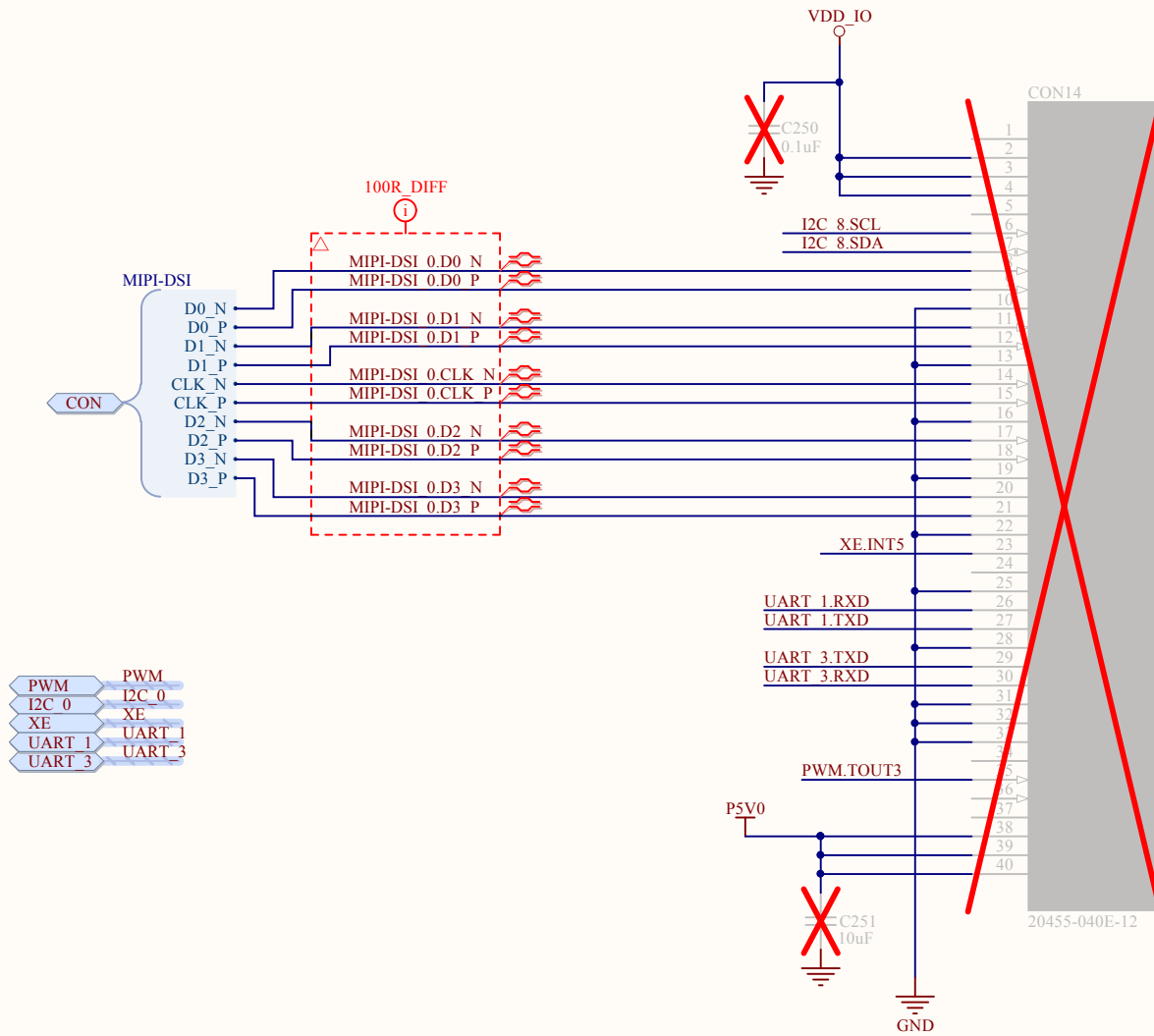
Title CON_UART			Hardkernel Co.,LTD. 704 Anyang K-center 1591-9 Burim, Dongangu, Anyang Gyeonggido South Korea	
Size: A4	Number:27.	Revision:0.2		
Date: 2014-10-27	Time: 오후 1:24:42 Sheet 27 of 44			
File: D:\hw\hkl\xu2\CON_UART.SchDoc				

1

2

3

4



Title LCD Connector			Hardkernel Co.,LTD. 704 Anyang K-center 1591-5 Burim, Dongangu, Anyang Kyeonggido South Korea	
Size: A4	Number:28.	Revision:0.2		
Date: 2014-10-27	Time: 오후 1:24:42		Sheet:28 of 44	
File: D:\hw\hkl\xu2\CON_LCD_IPEX_20455-040E-12.SchDoc				

1

2

3

4

A

A

B

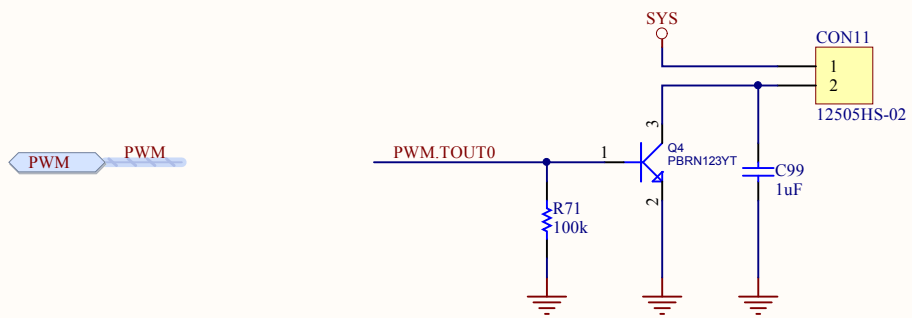
B


C

C

D

D



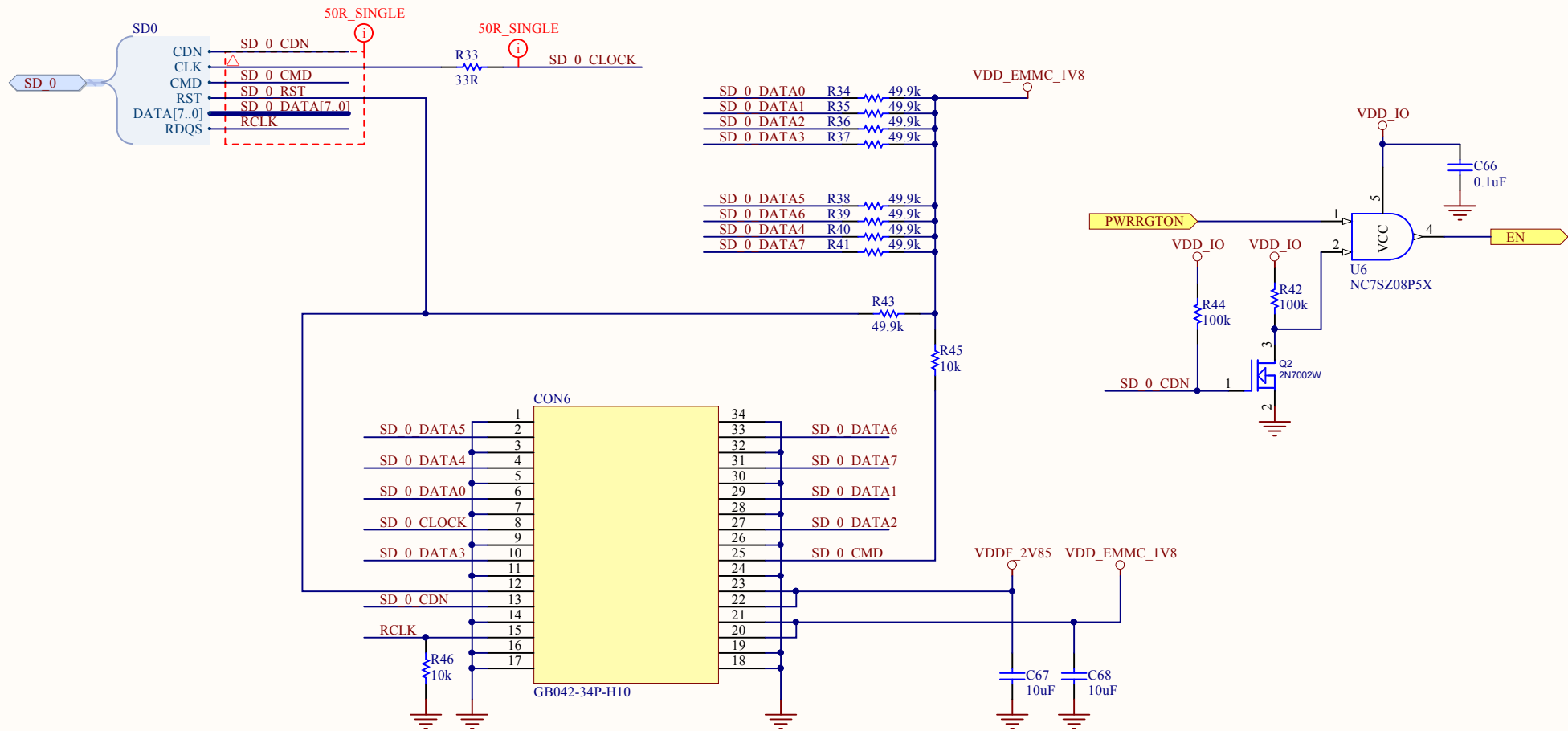
Title FAN Connector			Hardkernel Co.,LTD. 704 Anyang K-center 1591-9 Burim Dongan Gu Gyeonggido South Korea	
Size: A4	Number:29.	Revision:0.2		
Date: 2014-10-27	Time: 오후 1:24:43	Sheet 29 of 44		
File: D:\hw\hkl\xu2\CON_FAN.SchDoc				


1

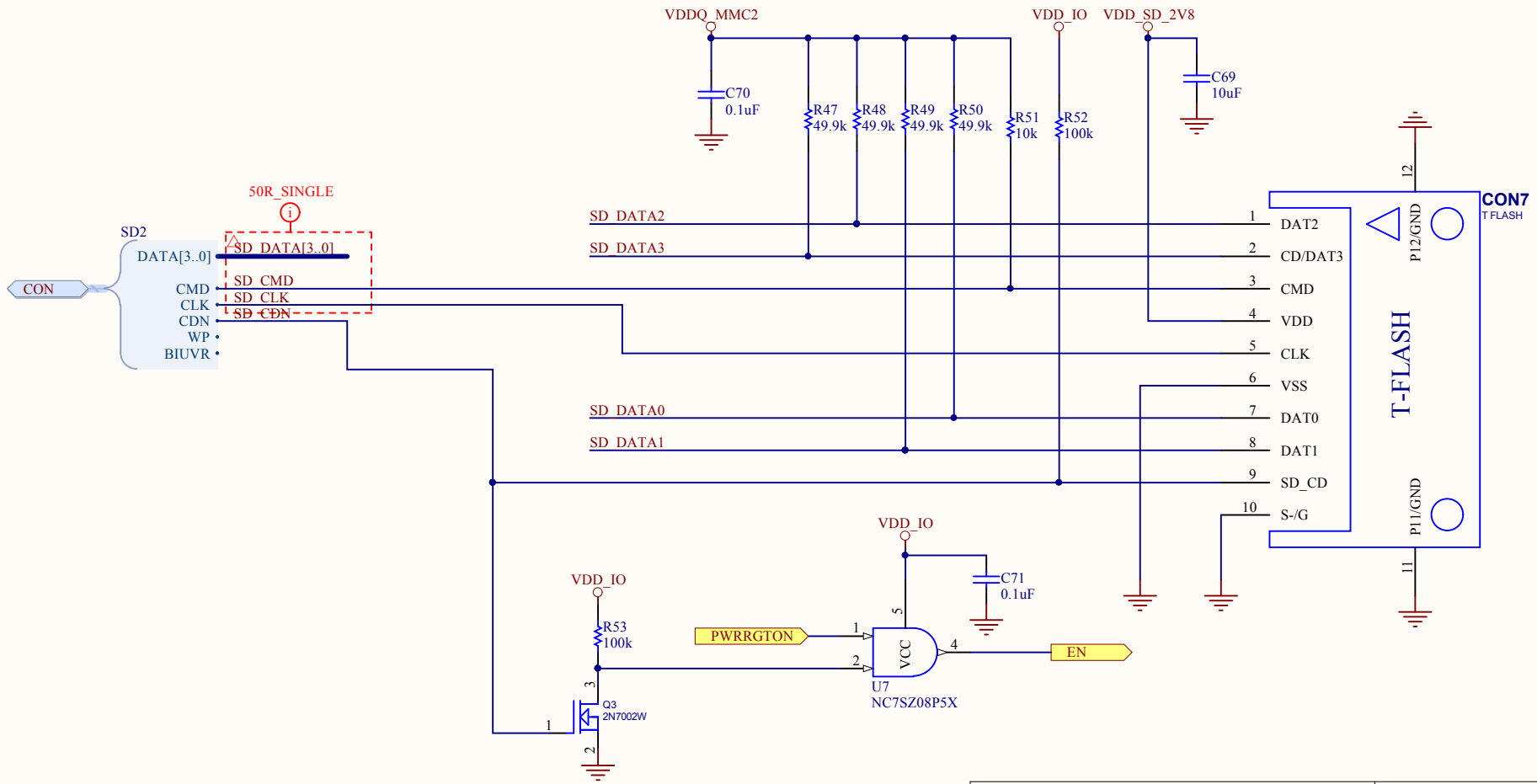
2


3

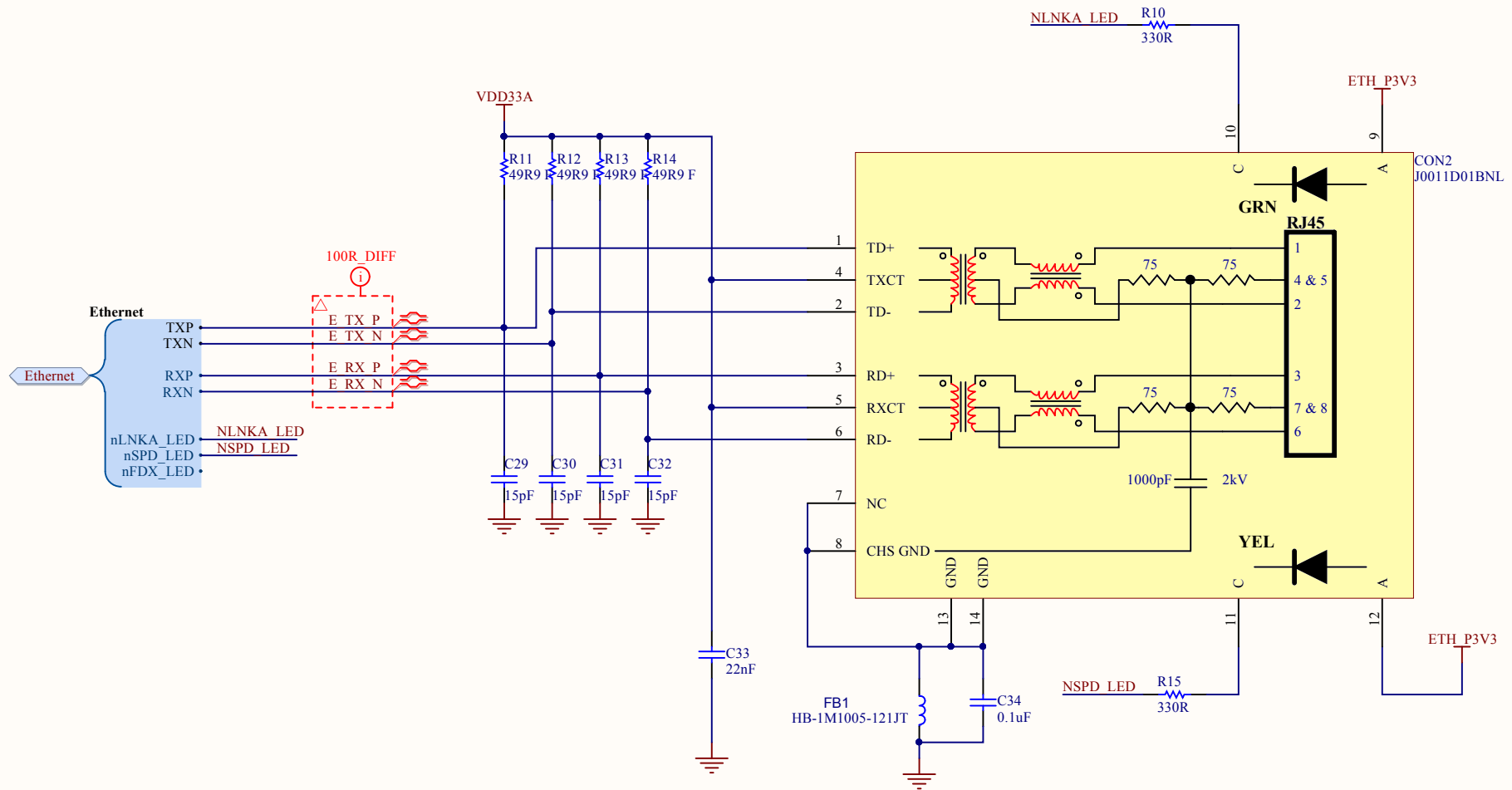
4




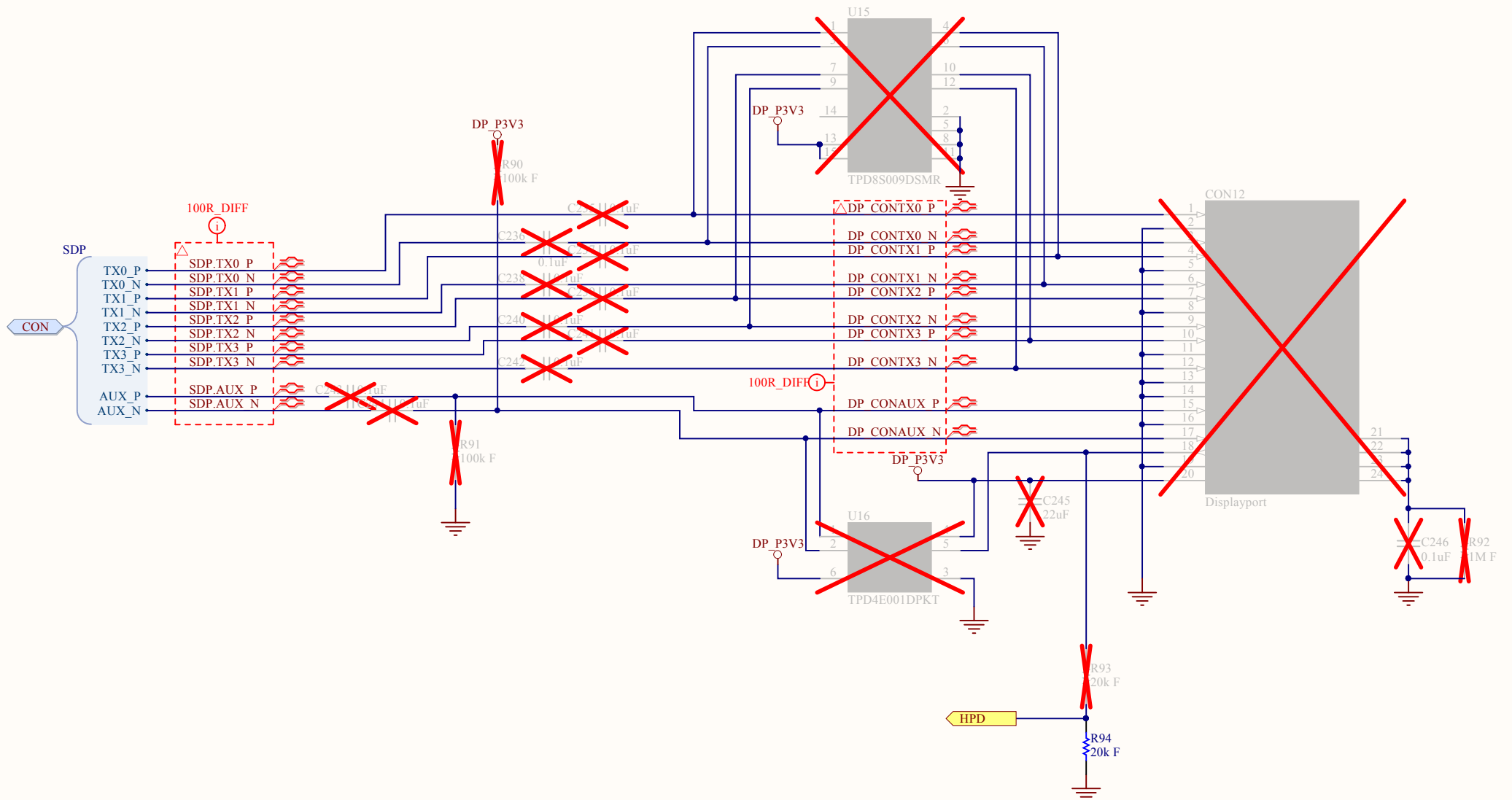
Title CON_EMMC			Hardkernel Co.,LTD. 704 Anyang K-center 1591-9 Burim Dongan Gu Gyeonggido South Korea	
Size: A4	Number:30.	Revision:0.2		
Date: 2014-10-27	Time: 오후 1:24:43	Sheet:30 of 44		
File: D:\hw\hkl\xu2\CON_EMMC.SchDoc				




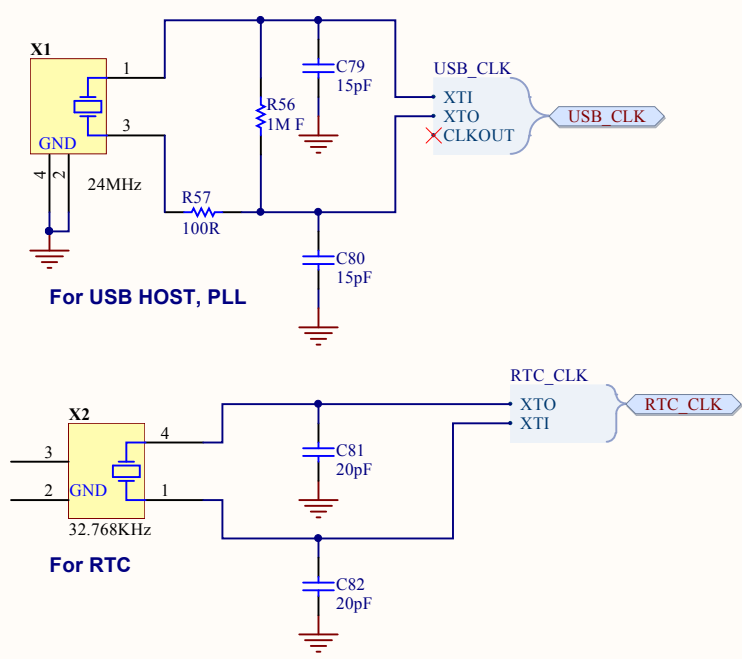
Title Micro SD Socket			Hardkernel Co.,LTD. 704 Anyang K-center 1591-9 Burim, Dongangu, Anyang Gyeonggido South Korea	
Size: A4	Number:31.	Revision:0.2		
Date: 2014-10-27	Time: 오후 1:24:43	Sheet:31 of 44		
File: D:\hw\hkl\xu2\CON_MICROSD_HD08-AL00335.SchDoc				



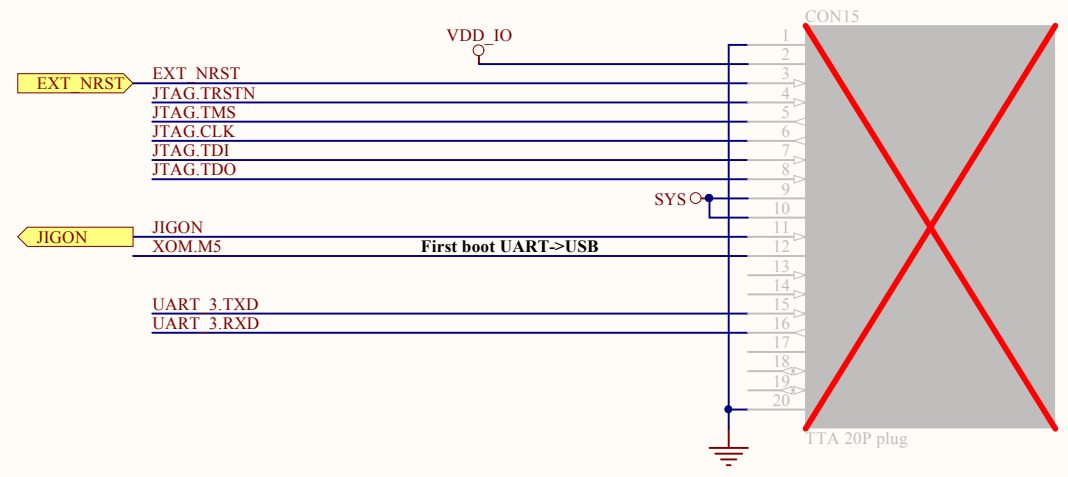
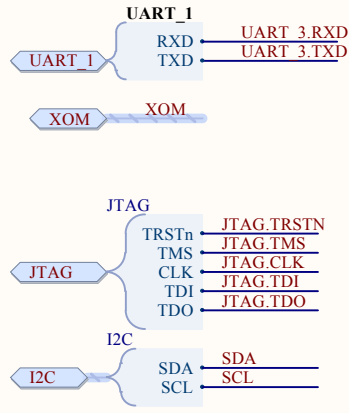
Title Ethernet Connector			Hardkernel Co.,LTD. 704 Anyang K-center 1591-9 Burim, Dongangu, Anyang Gyeonggido South Korea	
Size: A4	Number:32.	Revision:0.2		
Date: 2014-10-27	Time: 오후 1:24:43	Sheet:32 of 44		
File: D:\hw\hkl\xu2\CON_ETHERNET.SchDoc				



Title DisplayPort Connector			Hardkernel Co.,LTD. 704 Anyang K-center 1591-5 Burim, Dongangu, Anyang Kyeonggido South Korea	
Size: A4	Number:33.	Revision:0.2		
Date: 2014-10-27	Time: 오후 1:24:43	Sheet:33 of 44		
File: D:\hw\hkl\xu2\CON_DISPAYPORT.SchDoc				



Title CLK			R&D PART	OSROID
Size: A4	Number:34.	Revision:0.2	704 Anyang K-center 1591-9	
Date: 2014-10-27	Time: 오후 1:24:43 Sheet 34 of 44		Burim Dongan Gu	
File: D:\hw\hkl\xu2\CLK.SchDoc			Gyeongido South Korea	



Title TTA20P Connector			Hardkernel Co.,LTD. 704 Anyang K-center 1591-5 Burim, Dongangu, Anyang Kyeonggido South Korea	
Size: A4	Number:35.	Revision:0.2		
Date: 2014-10-27	Time: 오후 1:24:43	Sheet:35 of 44		
File: D:\hw\hkl\xu2\CON_TTA20.SchDoc				